

EL driver for portable sets

BA3899F

The BA3899F is an IC developed for EL drive applications. It uses a more compact interface than transformer systems, and is ideal for use in thin sets.

●Applications

Pagers, electronic notebooks and other portable devices

●Features

- 1) Drive oscillation frequency can be set using external capacitance.
- 2) Equipped with standby control pin.

●Absolute maximum ratings (Ta=25°C)

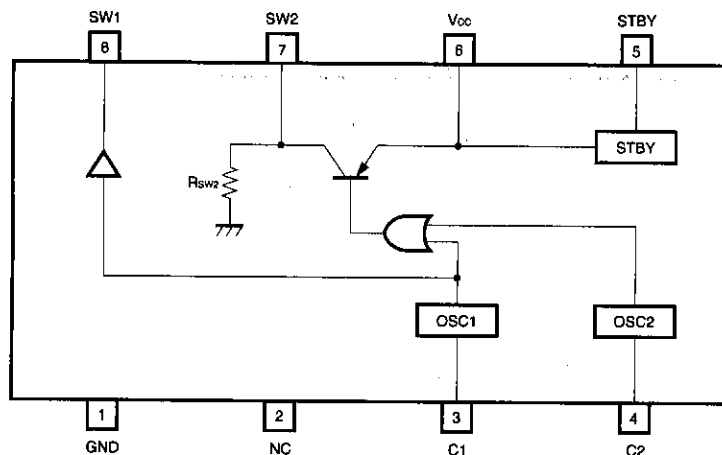
Parameter	Symbol	Limits	Unit
Power supply voltage	V _{CC}	8.0	V
Power dissipation	P _d	450*	mW
Operating temperature	T _{opr}	-10~60	°C
Storage temperature	T _{stg}	-55~125	°C
Maximum applied voltage	V _{ST}	8.0	V

* Reduced by 4.5mW for each increase in Ta of 1°C over 25°C.

●Recommended operating conditions (Ta = 25°C)

Parameter	Symbol	Min.	Typ.	Max.	Unit
Power supply voltage	V _{CC}	1.0	5.0	7.0	V

●Block diagram



● Pin descriptions

Pin No.	Pin Name	I/O	Pin Voltage	Internal Equivalent Circuit	Function
1	GND	I	—	—	GND pin
2	NC	—	—	—	—
3	C1	I/O	—		OSC1 oscillator circuit; external capacitor pin
4	C2	I/O	—		OSC2 oscillator circuit; external capacitor pin
5	STBY	I	0		Standby control pin (HIGH state: standby cancelled) * When applying resistance, etc. to the STBY pin, be careful not to exceed the threshold values.
6	Vcc	I	—	—	Vcc input pin
7	SW2	O	—		SW2 switching output pin
8	SW1	O	—		SW1 switching output pin

●Electrical characteristics (Unless otherwise noted, Ta=25°C, Vcc=5.0V, C1=0.033 μ F, C2=1500pF)

Parameter		Symbol	Min.	Typ.	Max.	Unit	Conditions
Circuit current		I _{CC}	3.0	4.6	6.2	mA	When used as stand-alone unit
C1 pin oscillation frequency		f _{SW1}	75	95	120	Hz	
C2 pin oscillation frequency		f _{SW2}	17	23	29	kHz	
SW1	Source current	I _{SW1SO}	100	140	180	μ A	V _{C1} =1.0V, V _{C2} =0.05V, V _{SW1} =0V
	Sink current	I _{SW1SI}	-40	-	-	μ A	V _{C1} =0.05V, V _{C2} =0.05V, V _{SW1} =1.0V
SW2	Source current	I _{SW2SO}	3.2	4.4	6.1	mA	V _{C1} =0.05V, V _{C2} =0.05V, V _{SW2} =0V
	Pull-down resistance	R _{SW2}	400	500	600	Ω	V _{st} =0.35V, V _{SW2} =0.3V
Standby pin control voltage condition	Operating	V _{STON}	1.0	-	-	V	
	Non-operating	V _{STOFF}	-	-	0.3	V	
Circuit current in standby state		I _{Q (ST)}	-	0	2.0	μ A	

●Measurement circuit

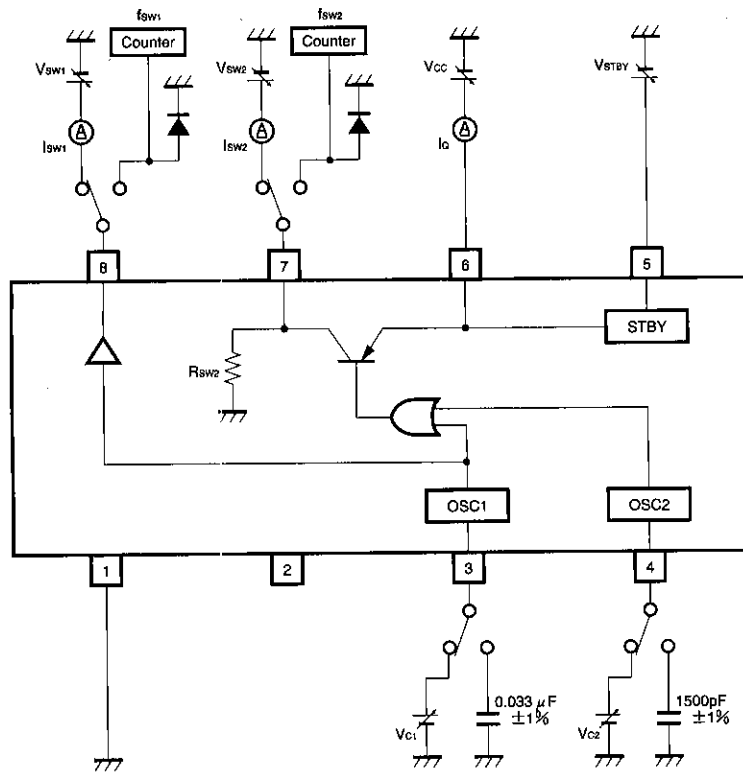


Fig.1

●Application example

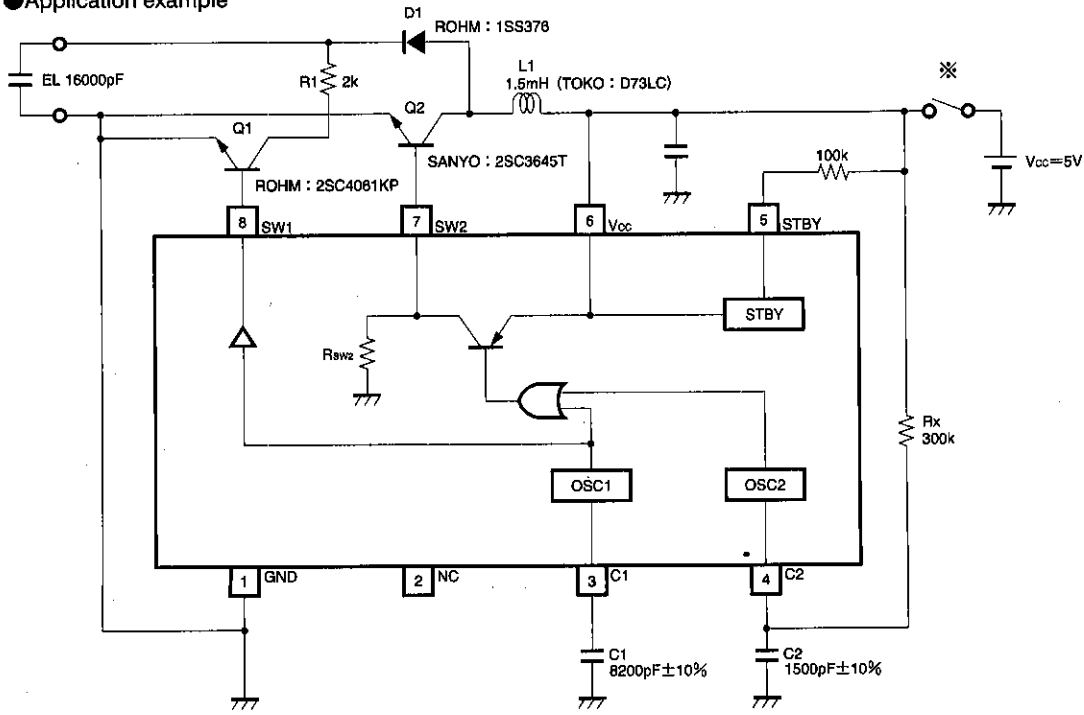


Fig. 2 Application example 1

※ Because of the characteristics of the EL element, continuous application of particularly high DC power supply voltage can shorten the lifetime of the element. To avoid this, we recommend inserting a switch in the power supply line.

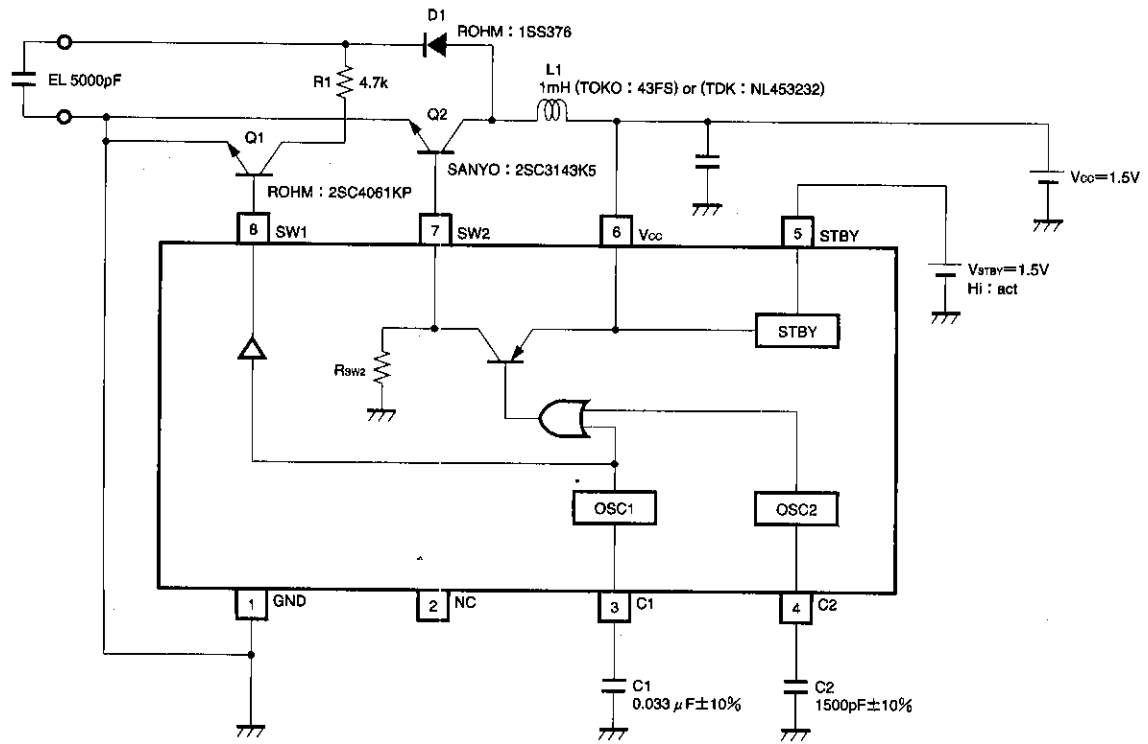


Fig. 3 Application example 2

● Operation notes

(1) EL drive output

As shown in Figure 4, the EL drive output consists of charging (rise in voltage caused by switching) and discharging waveforms. The switching frequency is determined by f_{SW2} and the charging and discharging timing by f_{SW1}.

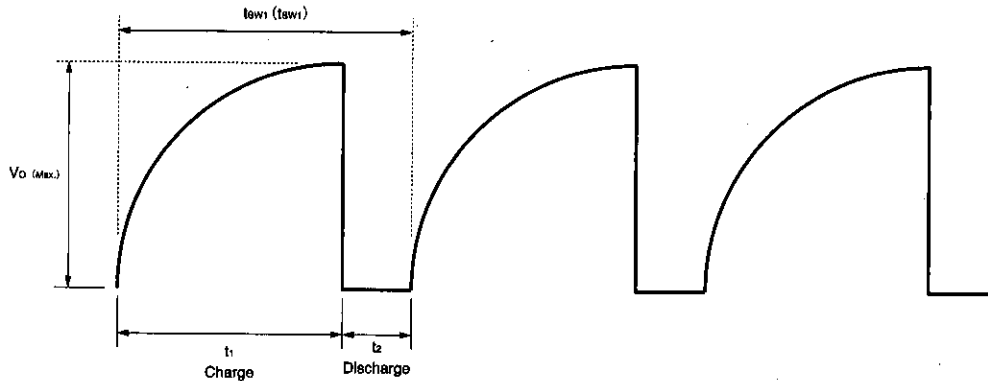


Fig.4

(2) Setting f_{SW1}

The oscillation frequency is determined by charging and discharging of the external capacitance of the C1 pin. The value for C1 should be set based on the following equation.

$$C1 = \frac{1}{V_{C1} \times \left(\frac{1}{I_1} + \frac{1}{I_2} \right)} \times \frac{1}{f_{SW1}}$$

$$= (3.14E-6) \times \frac{1}{f_{SW1}} \quad (V_{CC}=5V)$$

The recommended setting range for f_{SW1} is 40Hz to 800Hz. However, the V_{O (Max.)} shown in Figure 4 is determined by f_{SW1}, so caution is required concerning the pressure withstand values of Q1, Q2, and D1.

(3) f_{SW2}

f_{SW2} is the switching pressure rise frequency, and is determined by the external capacitance of the C2 pin. This value (1500pF) is determined by the inductance value and the Q2 transistor capability. When changing this value, the drive capability of Q2 must be taken into consideration in order to avoid the possibility of malfunction.

(4) Q1, Q2, and D1

The V_{O (Max.)} shown in Figure 4 is applied to the output V_O, so if using any transistor other than that recommended, caution is required concerning the pressure withstand value. Also, Q2 must have characteristics which allow it to keep pace with the switching speed of f_{SW2}.

(5) R_x (resistor for adjusting light volume)

With a configuration like that shown in Figure 5, the volume of light can be adjusted. However, R_x should be set so that I_x satisfies the following condition.

$$I_x \left(= \frac{V_x - 0.2V}{R_x} \right) < 40 \mu A$$

If I_x > 40 μA, LSI dispersion, temperature fluctuation, and other elements can cause oscillation of the C2 pin to stop. Be sure the above condition is satisfied.

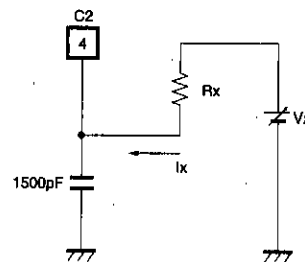


Fig.5

●Electrical characteristic curves

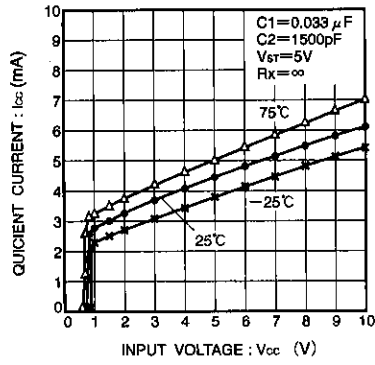


Fig. 6 Circuit current (when used as stand-alone unit) - powersupply voltage characteristic

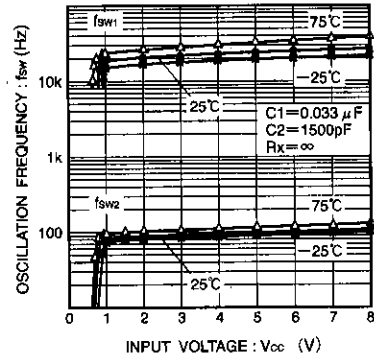


Fig. 7 Oscillation frequency of C1 and C2 pins - powersupply voltage characteristic

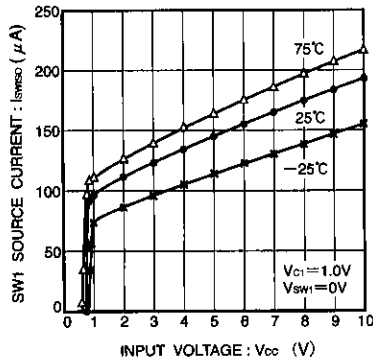


Fig. 8 SW1 sink current - power supply voltage characteristic

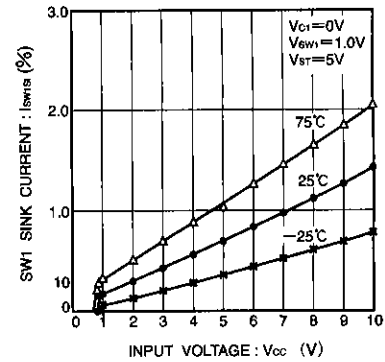


Fig. 9 SW1 source current power supply voltage characteristic

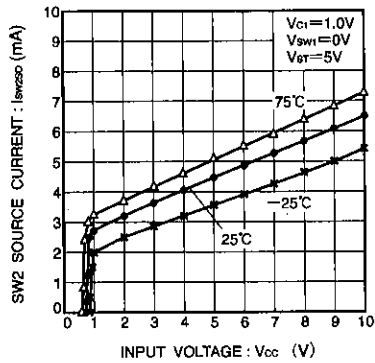


Fig. 10 SW2 source current - power supply voltage characteristic

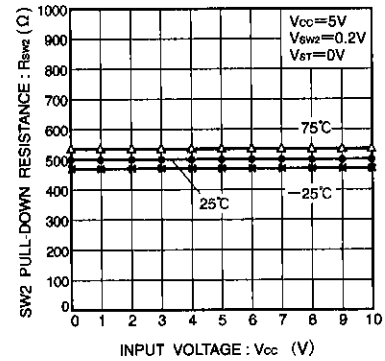
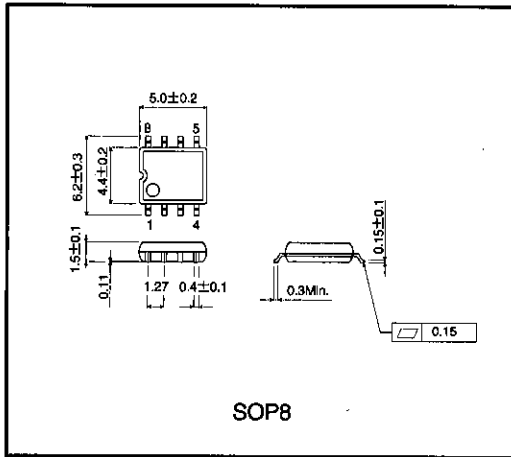


Fig. 11 SW2 pull-down resistance - power supply voltage characteristic

● External dimensions (Units: mm)



Notes

- The contents described in this catalogue are correct as of March 1997.
- No unauthorized transmission or reproduction of this book, either in whole or in part, is permitted.
- The contents of this book are subject to change without notice. Always verify before use that the contents are the latest specifications. If, by any chance, a defect should arise in the equipment as a result of use without verification of the specifications, ROHM CO., LTD., can bear no responsibility whatsoever.
- Application circuit diagrams and circuit constants contained in this data book are shown as examples of standard use and operation. When designing for mass production, please pay careful attention to peripheral conditions.
- Any and all data, including, but not limited to application circuit diagrams, information, and various data, described in this catalogue are intended only as illustrations of such devices and not as the specifications for such devices. ROHM CO., LTD., disclaims any warranty that any use of such device shall be free from infringement of any third party's intellectual property rights or other proprietary rights, and further, assumes absolutely no liability in the event of any such infringement, or arising from or connected with or related to the use of such devices.
- Upon the sale of any such devices; other than for the buyer's right to use such devices itself, resell or otherwise dispose of the same; no express or implied right or license to practice or commercially exploit any intellectual property rights or other proprietary rights owned or controlled by ROHM CO., LTD., is granted to any such buyer.
- The products in this manual are manufactured with silicon as the main material.
- The products in this manual are not of radiation resistant design.

The products listed in this catalogue are designed to be used with ordinary electronic equipment or devices (such as audio-visual equipment, office-automation equipment, communications devices, electrical appliances, and electronic toys). Should you intend to use these products with equipment or devices which require an extremely high level of reliability and the malfunction of which would directly endanger human life (such as medical instruments, transportation equipment, aerospace machinery, nuclear-reactor controllers, fuel controllers, or other safety devices) please be sure to consult with our sales representatives in advance.

- Notes when exporting
 - It is essential to obtain export permission when exporting any of the above products when it falls under the category of strategic material (or labor) as determined by foreign exchange or foreign trade control laws.
 - Please be sure to consult with our sales representatives to ascertain whether any product is classified as a strategic material.