

Mute detector IC

BA3703F

The BA3703F is a mute detector designed for car stereos. It features low external parts count, and can detect mute whether the tape is playing or being fast-forwarded.

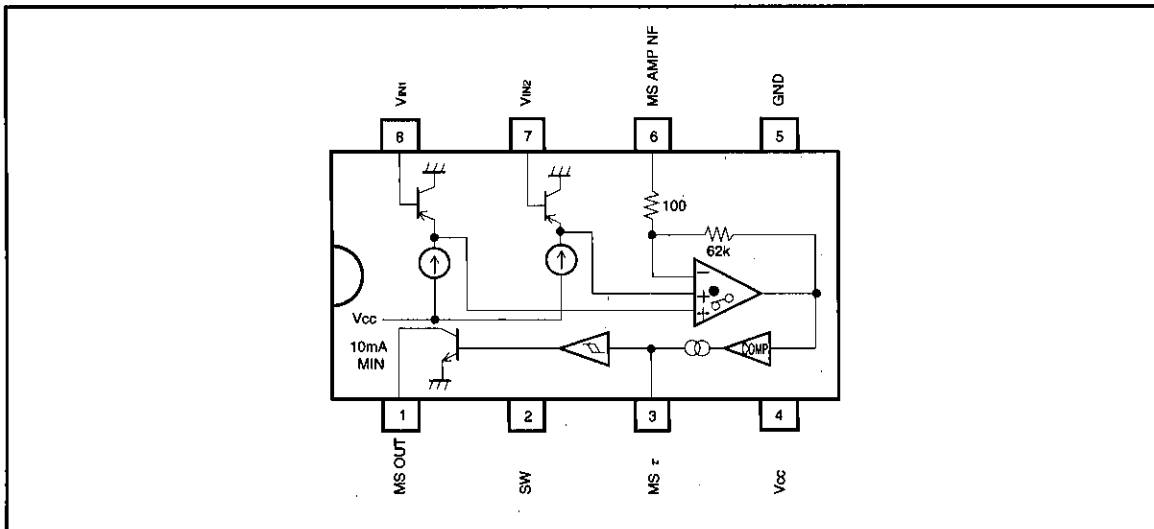
It features a wide power supply voltage range (6.0V to 16.0V) and is ideal for use in car stereos and other audio equipment.

●Application
Car stereos

●Features

- 1) Can detect mute during playback and fast-forward.
- 2) The signal detect and mute detect times can be set using external components.
- 3) Wide power supply voltage range (6.0V to 16.0V).

●Block diagram



Audio accessory components

●Absolute maximum ratings (Ta = 25°C)

Parameter	Symbol	Limits	Unit
Supply voltage	V _{CC}	18	V
Power dissipation	P _d	550*	mW
Operating temperature	T _{opr}	-30~85	°C
Storage temperature	T _{stg}	-55~125	°C

* Reduced by 5.5mW for each increase in Ta of 1°C over 25°C.

●Recommended power supply voltage range (Ta = 25°C)

Parameter	Symbol	Min.	Typ.	Max.	Unit
Supply voltage	V _{CC}	6.0	—	16.0	V

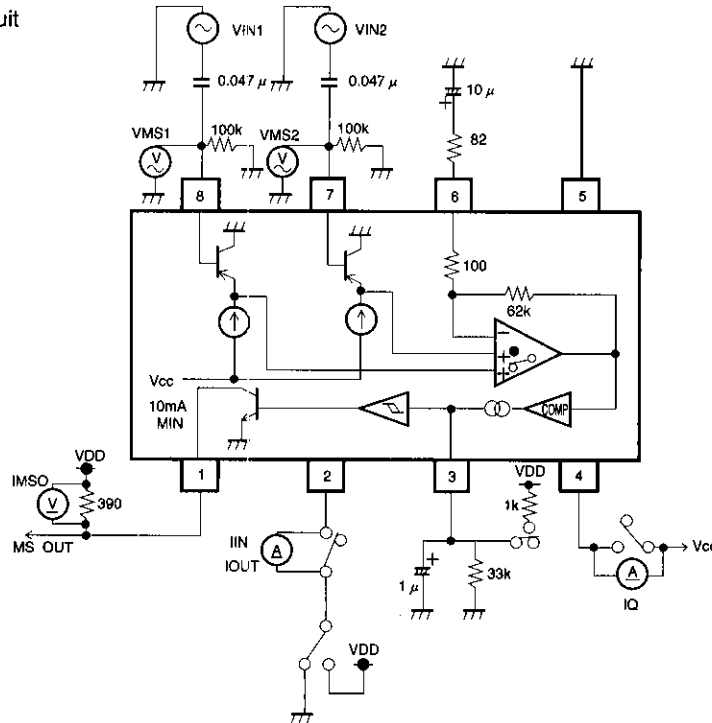
●Electrical characteristics (unless otherwise indicated, $T_a = 25^\circ\text{C}$, $V_{CC} = 9\text{V}$, $V_{DD} = 5\text{V}$, $f = 1\text{kHz}$,
Measurement circuit : Fig. 1)

Parameter	Symbol	Min.	Typ.	Max.	Unit	Conditions
Quiescent current	I_o	—	0.85	2.0	mA	$V_{2PIN} = 0\text{V}$, $V_{IN} = 0\text{Vrms}$
Song detection level 1	V_{MS1}	-55	-52	-49	dBm	$V_{2PIN} = 0\text{V}$, pin 8 input voltage
Song detection level 2	V_{MS2}	-55	-52	-49	dBm	$V_{2PIN} = 5\text{V}$, pin 7 input voltage
Song detection time *1	T_1	7.7	11	14.3	msec	$C_\tau = 1\mu\text{F}$, $R_\tau = 33\text{k}\Omega$ $V_{IN} = 0\text{Vrms} \rightarrow -40\text{dBm}$
Mute detection time *2	T_2	30	40	50	msec	$C_\tau = 1\mu\text{F}$, $R_\tau = 33\text{k}\Omega$ $V_{IN} = -40\text{dBm} \rightarrow 0\text{Vrms}$
Control pin high level	V_{THH}	4.2	—	—	V	
Control pin low level	V_{THL}	—	—	1.4	V	
Control pin input current	I_{IN}	—	100	200	μA	$V_{2PIN} = 5\text{V}$
Control pin output current	I_{out}	—	140	270	μA	$V_{2PIN} = 0\text{V}$
MS OUT max. input current	I_{MSO}	10	—	—	mA	$V_{3PIN} \geq 4.2\text{V}$
MS OUT leak current	I_{MS}	—	0.5	2.0	μA	

*1 The time from when V_{IN} is input until MS OUT goes low.

*2 The time from when V_{IN} becomes $V_{IN} = 0$ until MS OUT goes high.

●Measurement circuit



Units:
Resistance: $\Omega (\pm 1\%)$
Capacitance: F ($\pm 1\%$)
Capacitance (electrolytic): F ($\pm 5\%$)

Fig. 1

●Application example

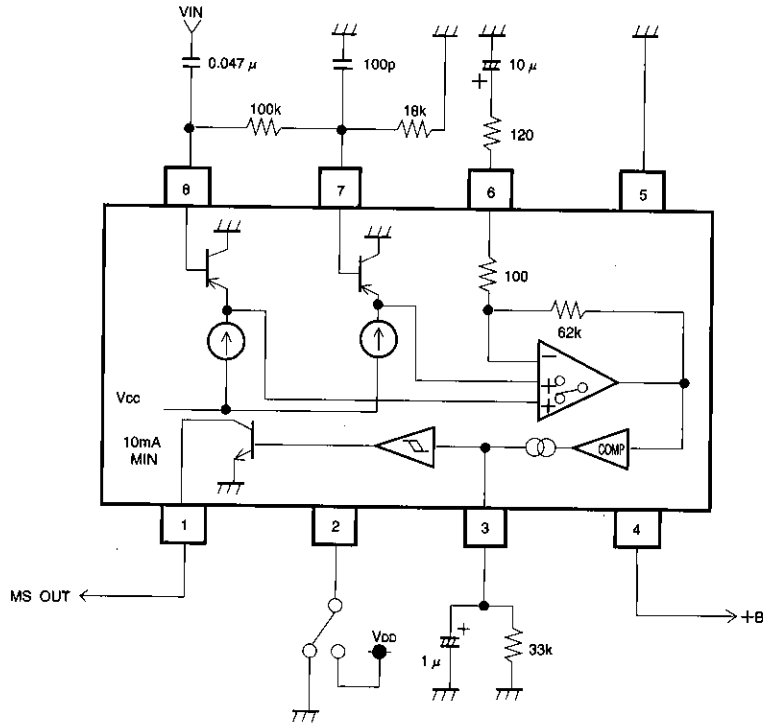


Fig. 2

●Electrical characteristic curves

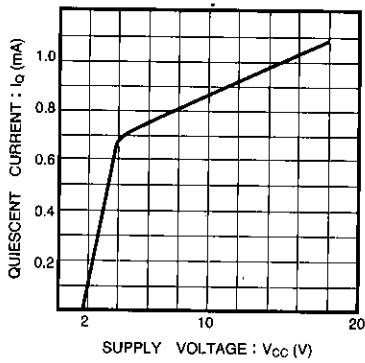


Fig. 3 Quiescent current vs. supply voltage

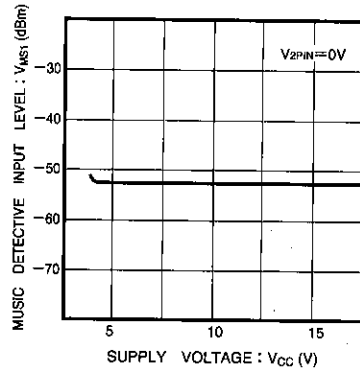


Fig. 4 Song detection input level 1 vs. supply voltage

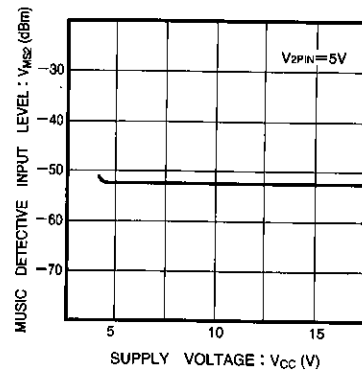


Fig. 5 Song detection input level 2 vs. supply voltage

Mute detectors

Audio accessory components

●Electrical characteristic curves

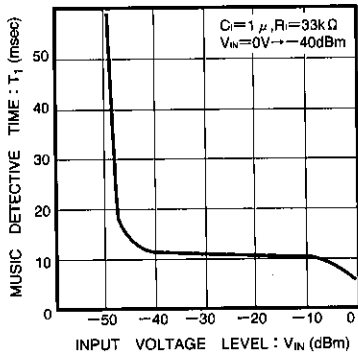


Fig. 6 Song detection time vs. input voltage level

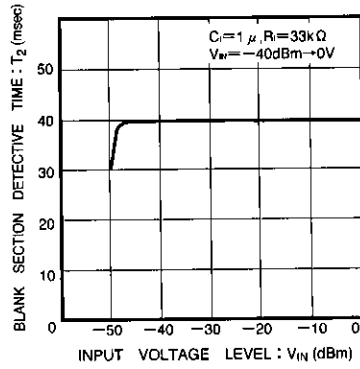
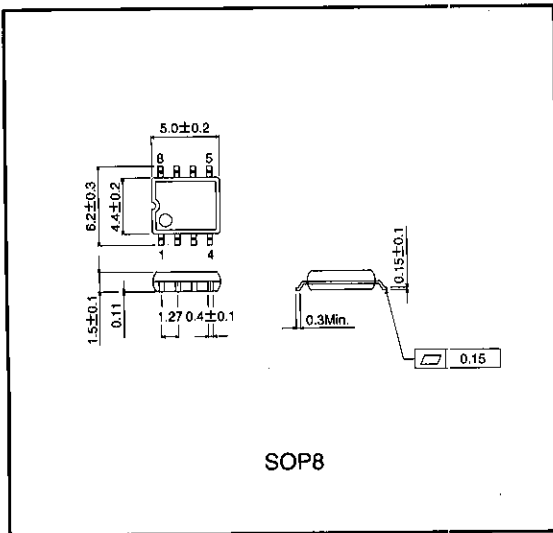


Fig. 7 Mute detection time vs. input voltage level

●External dimensions (Unit: mm)



Notes

- The contents described in this catalogue are correct as of March 1997.
- No unauthorized transmission or reproduction of this book, either in whole or in part, is permitted.
- The contents of this book are subject to change without notice. Always verify before use that the contents are the latest specifications. If, by any chance, a defect should arise in the equipment as a result of use without verification of the specifications, ROHM CO., LTD., can bear no responsibility whatsoever.
- Application circuit diagrams and circuit constants contained in this data book are shown as examples of standard use and operation. When designing for mass production, please pay careful attention to peripheral conditions.
- Any and all data, including, but not limited to application circuit diagrams, information, and various data, described in this catalogue are intended only as illustrations of such devices and not as the specifications for such devices. ROHM CO., LTD., disclaims any warranty that any use of such device shall be free from infringement of any third party's intellectual property rights or other proprietary rights, and further, assumes absolutely no liability in the event of any such infringement, or arising from or connected with or related to the use of such devices.
- Upon the sale of any such devices; other than for the buyer's right to use such devices itself, resell or otherwise dispose of the same; no express or implied right or license to practice or commercially exploit any intellectual property rights or other proprietary rights owned or controlled by ROHM CO., LTD., is granted to any such buyer.
- The products in this manual are manufactured with silicon as the main material.
- The products in this manual are not of radiation resistant design.

The products listed in this catalogue are designed to be used with ordinary electronic equipment or devices (such as audio-visual equipment, office-automation equipment, communications devices, electrical appliances, and electronic toys). Should you intend to use these products with equipment or devices which require an extremely high level of reliability and the malfunction of which would directly endanger human life (such as medical instruments, transportation equipment, aerospace machinery, nuclear-reactor controllers, fuel controllers, or other safety devices) please be sure to consult with our sales representatives in advance.

- Notes when exporting
 - It is essential to obtain export permission when exporting any of the above products when it falls under the category of strategic material (or labor) as determined by foreign exchange or foreign trade control laws.
 - Please be sure to consult with our sales representatives to ascertain whether any product is classified as a strategic material.