

# DATA SHEET

## **74LVT86**

**3.3V Quad 2-input exclusive-OR gate**

Product specification

1996 Sep 10

IC24 Data Handbook

# 3.3V Quad 2-input exclusive-OR gate

# 74LVT86

## QUICK REFERENCE DATA

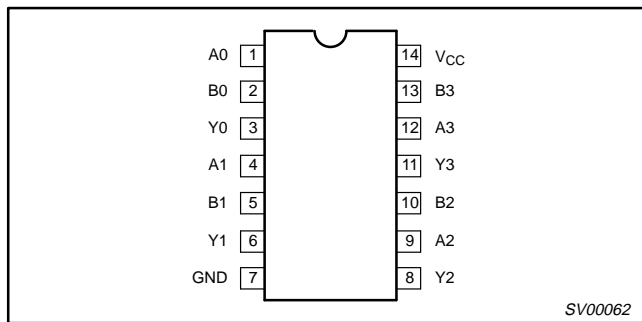
SYMBOL	PARAMETER	CONDITIONS $T_{amb} = 25^{\circ}\text{C};$ $\text{GND} = 0\text{V}$	TYPICAL	UNIT
$t_{PLH}$ $t_{PHL}$	Propagation delay $A_n$ or $B_n$ to $Y_n$	$C_L = 50\text{pF};$ $V_{CC} = 3.3\text{V}$	3.4 3.5	ns
$C_{IN}$	Input capacitance	$V_I = 0\text{V}$ or $3.0\text{V}$	3	pF
$I_{CCL}$	Total supply current	Outputs Low; $V_{CC} = 3.6\text{V}$	1	mA

## FUNCTION TABLE

INPUTS		OUTPUT
$D_{na}$	$D_{nb}$	$Q_n$
L	L	L
L	H	H
H	L	H
H	H	L

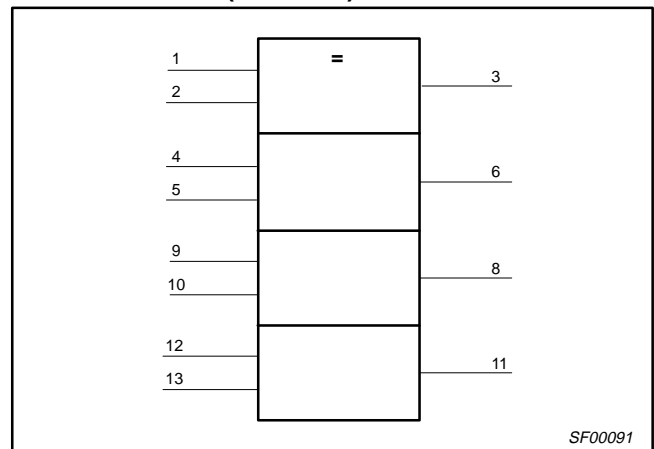
**NOTES:**  
 H = High voltage level  
 L = Low voltage level

## PIN CONFIGURATION



SV00062

## LOGIC SYMBOL (IEEE/IEC)

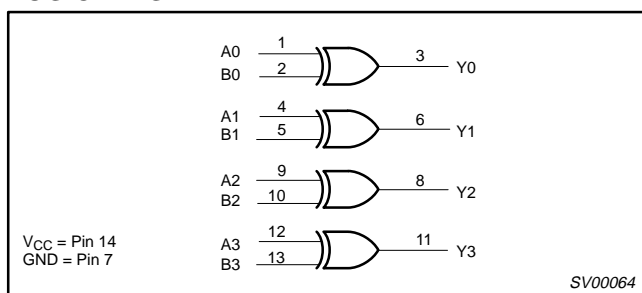


SF00091

## PIN DESCRIPTION

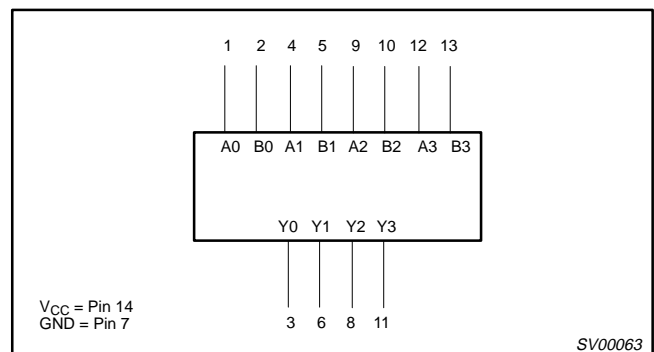
PIN NUMBER	SYMBOL	NAME AND FUNCTION
1, 2, 4, 5, 9, 10, 12, 13	$A_n, B_n$	Data inputs
3, 6, 8, 11	$Y_n$	Data outputs
7	GND	Ground (0V)
14	$V_{CC}$	Positive supply voltage

## LOGIC DIAGRAM



SV00064

## LOGIC SYMBOL



SV00063

## ORDERING INFORMATION

PACKAGES	TEMPERATURE RANGE	OUTSIDE NORTH AMERICA	NORTH AMERICA	DWG NUMBER
14-Pin Plastic SO	-40°C to +85°C	74LVT86 D	74LVT86 D	SOT108-1
14-Pin Plastic SSOP	-40°C to +85°C	74LVT86 DB	74LVT86 DB	SOT337-1
14-Pin Plastic TSSOP	-40°C to +85°C	74LVT86 PW	74LVT86PW DH	SOT402-1

## 3.3V Quad 2-input exclusive-OR gate

74LVT86

**ABSOLUTE MAXIMUM RATINGS<sup>1, 2</sup>**

SYMBOL	PARAMETER	CONDITIONS	RATING	UNIT
V <sub>CC</sub>	DC supply voltage		-0.5 to +4.6	V
I <sub>IK</sub>	DC input diode current	V <sub>I</sub> < 0	-50	mA
V <sub>I</sub>	DC input voltage <sup>3</sup>		-0.5 to +7.0	V
I <sub>OK</sub>	DC output diode current	V <sub>O</sub> < 0	-50	mA
V <sub>OUT</sub>	DC output voltage <sup>3</sup>	Output in Off or High state	-0.5 to +7.0	V
I <sub>OUT</sub>	DC output current	Output in High state	-32	mA
		Output in Low state	64	
T <sub>stg</sub>	Storage temperature range		-65 to 150	°C

**NOTES:**

- Stresses beyond those listed may cause permanent damage to the device. These are stress ratings only and functional operation of the device at these or any other conditions beyond those indicated under "recommended operating conditions" is not implied. Exposure to absolute-maximum-rated conditions for extended periods may affect device reliability.
- The performance capability of a high-performance integrated circuit in conjunction with its thermal environment can create junction temperatures which are detrimental to reliability. The maximum junction temperature of this integrated circuit should not exceed 150°C.
- The input and output negative voltage ratings may be exceeded if the input and output clamp current ratings are observed.

**RECOMMENDED OPERATING CONDITIONS**

SYMBOL	PARAMETER	LIMITS		UNIT
		MIN	MAX	
V <sub>CC</sub>	DC supply voltage	2.7	3.6	V
V <sub>I</sub>	Input voltage	0	5.5	V
V <sub>IH</sub>	High-level input voltage	2.0		V
V <sub>IL</sub>	Low-level Input voltage		0.8	V
I <sub>OH</sub>	High-level output current		-20	mA
I <sub>OL</sub>	Low-level output current		32	mA
Δt/Δv	Input transition rise or fall rate; Outputs enabled		10	ns/V
T <sub>amb</sub>	Operating free-air temperature range	-40	+85	°C

## 3.3V Quad 2-input exclusive-OR gate

74LVT86

**DC ELECTRICAL CHARACTERISTICS**

Over recommended operating conditions

Voltages are referenced to GND (ground = 0V)

SYMBOL	PARAMETER	TEST CONDITIONS	LIMITS			UNIT
			Temp = -40°C to +85°C			
			MIN	TYP1	MAX	
$V_{IK}$	Input clamp voltage	$V_{CC} = 2.7V; I_{IK} = -18mA$			-1.2	V
$V_{OH}$	High-level output voltage	$V_{CC} = 2.7$ to $3.6V; I_{OH} = -100\mu A$	$V_{CC}-0.2$			V
		$V_{CC} = 2.7V; I_{OH} = -6mA$	2.4			
		$V_{CC} = 3.0V; I_{OH} = -20mA$	2.0			
$V_{OL}$	Low-level output voltage	$V_{CC} = 2.7V; I_{OL} = 100\mu A$			0.2	V
		$V_{CC} = 2.7V; I_{OL} = 24mA$			0.5	
		$V_{CC} = 3.0V; I_{OL} = 32mA$			0.5	
$I_I$	Input leakage current	$V_{CC} = 0$ or $3.6V; V_I = 5.5V$			10	$\mu A$
		$V_{CC} = 3.6V; V_I = V_{CC}$ or GND			$\pm 1$	
$I_{OFF}$	Output off current	$V_{CC} = 0V; V_I$ or $V_O = 0$ to $4.5V$			$\pm 100$	$\mu A$
$I_{CCH}$	Quiescent supply current	$V_{CC} = 3.6V; \text{Outputs High, } V_I = \text{GND or } V_{CC}, I_O = 0$			0.02	mA
$I_{CCL}$		$V_{CC} = 3.6V; \text{Outputs Low, } V_I = \text{GND or } V_{CC}, I_O = 0$		1	2	
$\Delta I_{CC}$	Additional supply current per input pin <sup>2</sup>	$V_{CC} = 3V$ to $3.6V; \text{One input at } V_{CC}-0.6V, \text{Other inputs at } V_{CC}$ or GND			0.2	$\mu A$
$C_I$	Input capacitance	$V_I = 3V$ or 0		3		pF

**NOTES:**1. All typical values are at  $V_{CC} = 3.3V$  and  $T_{amb} = 25^\circ C$ .2. This is the increase in supply current for each input at the specified voltage level other than  $V_{CC}$  or GND.**AC CHARACTERISTICS**GND = 0V;  $t_R = t_F = 2.5ns; C_L = 50pF, R_L = 500\Omega; T_{amb} = -40^\circ C$  to  $+85^\circ C$ .

SYMBOL	PARAMETER	WAVEFORM	LIMITS				UNIT
			$V_{CC} = 3.3V \pm 0.3V$			$V_{CC} = 2.7V$	
			MIN	TYP <sup>1</sup>	MAX	MAX	
$t_{PLH}$ $t_{PHL}$	Propagation delay An or Bn to Yn (other input Low)	1	1.0	3.0	4.2	5.3	ns
			1.0	3.5	5.1	5.6	
$t_{PLH}$ $t_{PHL}$	Propagation delay An or Bn to Yn (other input High)	2	1.0	3.4	5.2	6.3	ns
			1.0	3.1	4.2	4.4	

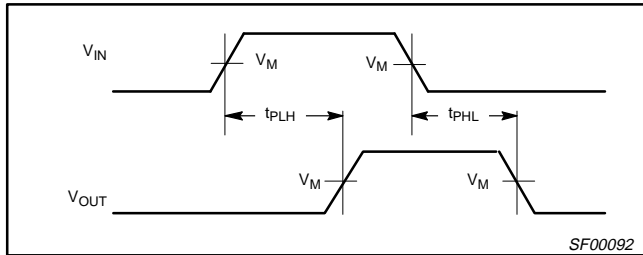
**NOTE:**1. All typical values are at  $V_{CC} = 3.3V$  and  $T_{amb} = 25^\circ C$ .

# 3.3V Quad 2-input exclusive-OR gate

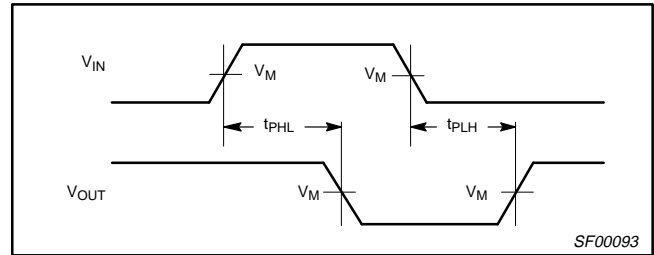
# 74LVT86

## AC WAVEFORMS

$V_M = 1.5V$ ,  $V_{IN} = GND$  to  $2.7V$



Waveform 1. Propagation Delay for Non-Inverting Outputs



Waveform 2. Propagation Delay for Inverting Outputs

## TEST CIRCUIT AND WAVEFORMS

Test Circuit for Outputs

$V_M = 1.5V$   
Input Pulse Definition

**DEFINITIONS**

$R_L$  = Load resistor; see AC CHARACTERISTICS for value.

$C_L$  = Load capacitance includes jig and probe capacitance; see AC CHARACTERISTICS for value.

$R_T$  = Termination resistance should be equal to  $Z_{OUT}$  of pulse generators.

FAMILY	INPUT PULSE REQUIREMENTS				
	Amplitude	Rep. Rate	$t_w$	$t_R$	$t_F$
74LVT	2.7V	$\leq 10\text{MHz}$	500ns	$\leq 2.5\text{ns}$	$\leq 2.5\text{ns}$

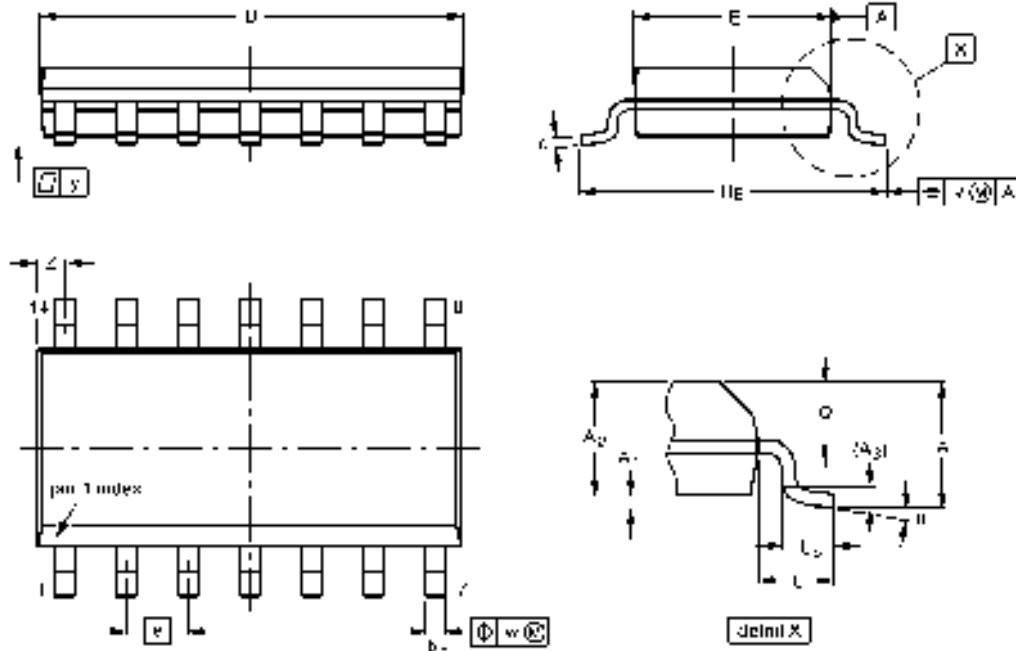
SV00022

# 3.3V Quad 2-input exclusive-OR gate

# 74LVT86

SO14: plastic small outline package; 14 leads; body width 3.9 mm

SOT108-1



DIMENSIONS (inch dimensions are derived from the original mm dimensions)

UNIT	A max.	A <sub>1</sub>	A <sub>2</sub>	A <sub>3</sub>	b <sub>p</sub>	e	φ <sup>(1)</sup>	φ <sup>(2)</sup>	φ	H <sub>E</sub>	L	L <sub>p</sub>	Q	v	w	y	z <sup>(1)</sup>	r
mm	1.75	0.25 0.10	1.45 1.25	0.20	0.45 0.30	0.25 0.19	8.75 8.00	4.0 3.0	1.27	5.2 5.0	1.5	1.0 0.4	0.7 0.6	0.25	0.25	0.1	0.7 0.3	
inches	0.069	0.0098 0.0039	0.057 0.049	0.008	0.018 0.014	0.0099 0.0075	0.34 0.31	0.16 0.12	0.050	0.21 0.20	0.041	0.039 0.016	0.028 0.024	0.01	0.01	0.004	0.029 0.012	B <sup>(2)</sup> D <sup>(2)</sup>

**Note**

1 Plastic or metal protrusions of 0.15 mm maximum per side are not included

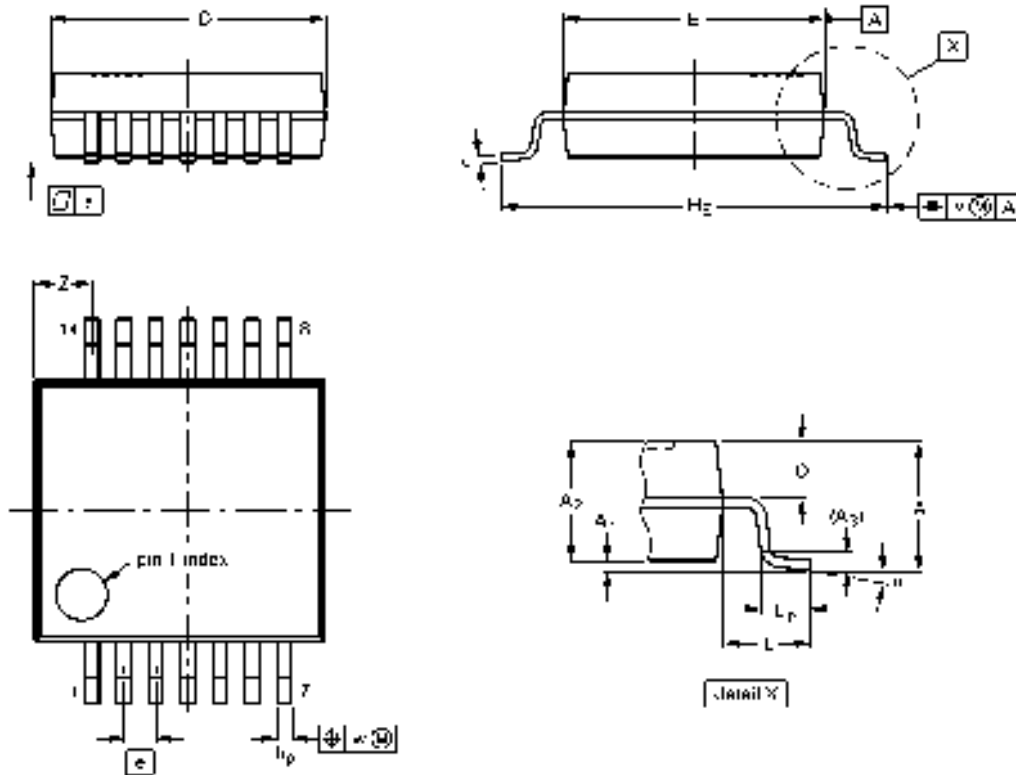
OUTLINE VERSION	REFERENCES			EUROPEAN PROJECTION	ISSUE DATE
	IEC	JEDEC	EIAJ		
SOT108-1	076E060	MS-012AB			94-08-19 95-01-23

# 3.3V Quad 2-input exclusive-OR gate

# 74LVT86

**SSOP14:** plastic shrink small outline package; 14 leads; body width 5.3 mm

**SOT337-1**



DIMENSIONS (mm are the original dimensions)

UNIT	A max.	A <sub>1</sub>	A <sub>2</sub>	a <sub>3</sub>	b <sub>p</sub>	c	Ø <sup>(1)</sup>	e <sup>(1)</sup>	e	H <sub>E</sub>	L	L <sub>p</sub>	Ø	γ	w	y	z <sup>(1)</sup>	r
mm	2.0	0.71 0.75	1.80 1.05	0.20	0.28 0.25	0.20 0.09	6.4 0.0	5.4 5.2	0.65	7.0 7.8	1.25	1.03 0.82	0.9 0.7	0.2	0.12	0.1	1.4 0.9	0° 0°

**Note**

1 Plastic or metal protrusions of 0.25 mm maximum per side are not included

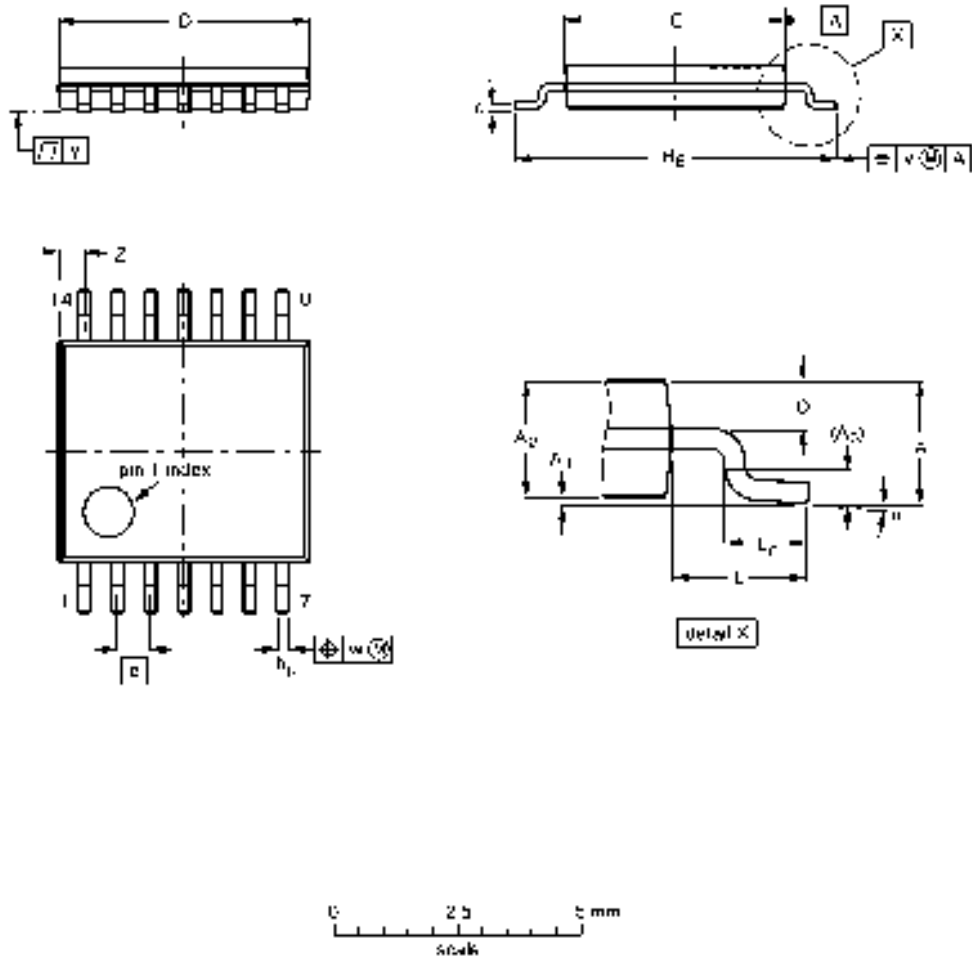
OUTLINE VERSION	REFERENCES			EUROPEAN PROJECTION	ISSUE DATE
	IEC	JEDEC	EIAJ		
SOT337-1		MO-150AB			95-85-94 96-01-19

# 3.3V Quad 2-input exclusive-OR gate

# 74LVT86

**TSSOP14:** plastic thin shrink small outline package; 14 leads; body width 4.4 mm

**SOT402-1**



**DIMENSIONS** (mm are the original dimensions)

UNIT	A max	A <sub>1</sub>	A <sub>2</sub>	A <sub>3</sub>	b <sub>p</sub>	c	Ø(1)	Ø(2)	e	H <sub>E</sub>	L	L <sub>p</sub>	Q	v	w	y	Z <sup>(1)</sup>	II
mm	1.10	0.15 0.75	0.05 0.00	0.25	0.50 0.19	0.2 0.1	5.1 4.9	4.5 4.3	0.55	6.6 6.2	1.0	0.75 0.57	0.4 0.3	0.2	0.13	0.1	0.72 0.30	0° 0°

**Notes**

- 1 Plastic or metal protrusions of 0.15 mm maximum per side are not included.
- 2 Plastic interlead protrusions of 0.25 mm maximum per side are not included.

OUTLINE VERSION	REFERENCES				EUROPEAN PROJECTION	ISSUE DATE
	IEC	JEDEC	EIAJ			
SOT402-1		MO-150				94-07-12 95-11-01



---

3.3V Quad 2-input exclusive-OR gate

74LVT86

---

**NOTES**

## 3.3V Quad 2-input exclusive-OR gate

74LVT86

## DEFINITIONS

Data Sheet Identification	Product Status	Definition
<i>Objective Specification</i>	<b>Formative or in Design</b>	This data sheet contains the design target or goal specifications for product development. Specifications may change in any manner without notice.
<i>Preliminary Specification</i>	<b>Preproduction Product</b>	This data sheet contains preliminary data, and supplementary data will be published at a later date. Philips Semiconductors reserves the right to make changes at any time without notice in order to improve design and supply the best possible product.
<i>Product Specification</i>	<b>Full Production</b>	This data sheet contains Final Specifications. Philips Semiconductors reserves the right to make changes at any time without notice, in order to improve design and supply the best possible product.

Philips Semiconductors and Philips Electronics North America Corporation reserve the right to make changes, without notice, in the products, including circuits, standard cells, and/or software, described or contained herein in order to improve design and/or performance. Philips Semiconductors assumes no responsibility or liability for the use of any of these products, conveys no license or title under any patent, copyright, or mask work right to these products, and makes no representations or warranties that these products are free from patent, copyright, or mask work right infringement, unless otherwise specified. Applications that are described herein for any of these products are for illustrative purposes only. Philips Semiconductors makes no representation or warranty that such applications will be suitable for the specified use without further testing or modification.

## LIFE SUPPORT APPLICATIONS

Philips Semiconductors and Philips Electronics North America Corporation Products are not designed for use in life support appliances, devices, or systems where malfunction of a Philips Semiconductors and Philips Electronics North America Corporation Product can reasonably be expected to result in a personal injury. Philips Semiconductors and Philips Electronics North America Corporation customers using or selling Philips Semiconductors and Philips Electronics North America Corporation Products for use in such applications do so at their own risk and agree to fully indemnify Philips Semiconductors and Philips Electronics North America Corporation for any damages resulting from such improper use or sale.

**Philips Semiconductors**  
**811 East Arques Avenue**  
**P.O. Box 3409**  
**Sunnyvale, California 94088-3409**  
**Telephone 800-234-7381**

Philips Semiconductors and Philips Electronics North America Corporation register eligible circuits under the Semiconductor Chip Protection Act.  
 © Copyright Philips Electronics North America Corporation 1996  
 All rights reserved. Printed in U.S.A.