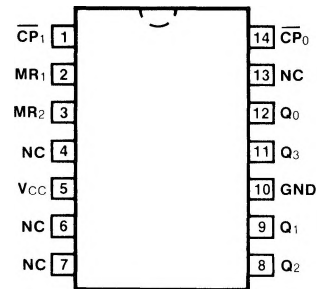


# 54/7493A 54LS/74LS93

## DIVIDE-BY-SIXTEEN COUNTER

### CONNECTION DIAGRAM PINOUT A

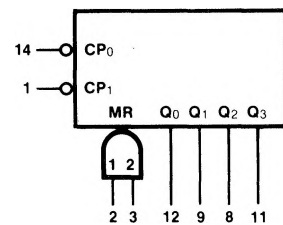


**DESCRIPTION** — The '93 is a 4-stage ripple counter containing a high speed flip-flop acting as a divide-by-two and three flip-flops connected as a divide-by-eight. HIGH signals on the Master Reset (MR) inputs override the clocks and force all outputs to the LOW state.

**ORDERING CODE:** See Section 9

PKGS	PIN OUT	COMMERCIAL GRADE	MILITARY GRADE	PKG TYPE
		$V_{CC} = +5.0 \text{ V} \pm 5\%$ , $T_A = 0^\circ \text{C to } +70^\circ \text{C}$	$V_{CC} = +5.0 \text{ V} \pm 10\%$ , $T_A = -55^\circ \text{C to } +125^\circ \text{C}$	
Plastic DIP (P)	A	7493APC, 74LS93PC		9A
Ceramic DIP (D)	A	7493ADC, 74LS93DC	5493ADM, 54LS93DM	6A
Flatpak (F)	A	7493AFC, 74LS93FC	5493AFM, 54LS93FM	3I

### LOGIC SYMBOL



$V_{CC}$  = Pin 5  
GND = Pin 10  
NC = Pins 4, 6, 7, 13

**INPUT LOADING/FAN-OUT:** See Section 3 for U.L. definitions

PIN NAMES	DESCRIPTION	54/74 (U.L.) HIGH/LOW	54/74LS (U.L.) HIGH/LOW
$\overline{CP}_0$	$\div 2$ Section Clock Input (Active Falling Edge)	2.0/2.0	1.0/1.5
$\overline{CP}_1$	$\div 5$ Section Clock Input (Active Falling Edge)	2.0/2.0	1.0/1.0
MR <sub>1</sub> , MR <sub>2</sub>	Asynchronous Master Reset Inputs (Active HIGH)	1.0/1.0	0.5/0.25
Q <sub>0</sub>	$\div 2$ Section Output*	20/10	10/5.0 (2.5)
Q <sub>1</sub> — Q <sub>3</sub>	$\div 8$ Section Outputs	20/10	10/5.0 (2.5)

\*The Q<sub>0</sub> output is guaranteed to drive the full rated fan-out plus the  $\overline{CP}_1$  input.

**FUNCTIONAL DESCRIPTION** — The '93 is a 4-bit ripple type binary counter. It consists of four master/slave flip-flops which are internally connected to provide a divide-by-two section and a divide-by-eight section. Each section has a separate clock input which initiates state changes of the counter on the HIGH-to-LOW clock transition. State changes of the Q outputs do not occur simultaneously because of internal ripple delays. Therefore, decoded output signals are subject to decoding spikes and should not be used for clocks or strobes. The  $Q_0$  output of each device is designed and specified to drive the rated fan-out plus the  $\overline{CP}_1$  input of the device. A gated AND asynchronous Master Reset ( $MR_1$ ,  $MR_2$ ) is provided which overrides the clocks and resets (clears) all the flip-flops. Since the output from the divide-by-two section is not internally connected to the succeeding stages, the devices may be operated in various counting modes.

- A. 4-Bit Ripple Counter — The output  $Q_0$  must be externally connected to input  $\overline{CP}_1$ . The input count pulses are applied to input  $\overline{CP}_0$ . Simultaneous divisions of 2, 4, 8, and 16 are performed at the  $Q_0$ ,  $Q_1$ ,  $Q_2$ , and  $Q_3$  outputs as shown in the Truth Table.
- B. 3-Bit Ripple Counter — The input count pulses are applied to input  $\overline{CP}_1$ . Simultaneous frequency divisions of 2, 4, and 8 are available at the  $Q_1$ ,  $Q_2$ , and  $Q_3$  outputs. Independent use of the first flip-flop is available if the reset function coincides with reset of the 3-bit ripple-through counter.

#### MODE SELECTION

RESET INPUTS		OUTPUTS			
$MR_1$	$MR_2$	$Q_0$	$Q_1$	$Q_2$	$Q_3$
H	H	L	L	L	L
L	H	Count			
H	L	Count			
L	L	Count			

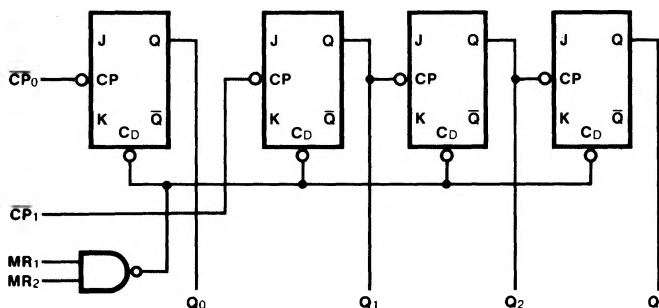
H = HIGH Voltage Level  
L = LOW Voltage Level

#### TRUTH TABLE

COUNT	OUTPUTS			
	$Q_0$	$Q_1$	$Q_2$	$Q_3$
0	L	L	L	L
1	H	L	L	L
2	L	H	L	L
3	H	H	L	L
4	L	L	H	L
5	H	L	H	L
6	L	H	H	L
7	H	H	H	L
8	L	L	L	H
9	H	L	L	H
10	L	H	L	H
11	H	H	L	H
12	L	L	H	H
13	H	L	H	H
14	L	H	H	H
15	H	H	H	H

NOTE: Output  $Q_0$  connected to  $\overline{CP}_1$ .

#### LOGIC DIAGRAM



**DC CHARACTERISTICS OVER OPERATING TEMPERATURE RANGE** (unless otherwise specified)

SYMBOL	PARAMETER	54/74		54/74LS		UNITS	CONDITIONS
		Min	Max	Min	Max		
$I_{IH}$	Input HIGH Current $\overline{CP}_0$ or $\overline{CP}_1$	1.0		0.2		mA	$V_{CC} = \text{Max}, V_{IN} = 5.5 \text{ V}$
$I_{CC}$	Power Supply Current	39		15		mA	$V_{CC} = \text{Max}$

**AC CHARACTERISTICS:**  $V_{CC} = +5.0 \text{ V}, T_A = +25^\circ \text{ C}$  (See Section 3 for waveforms and load configurations)

SYMBOL	PARAMETER	54/74		54/74LS		UNITS	CONDITIONS
		$C_L = 15 \text{ pF}$ $R_L = 400 \Omega$		$C_L = 15 \text{ pF}$			
		Min	Max	Min	Max		
$f_{max}$	Maximum Count Frequency $\overline{CP}_0$ Input	32		32		MHz	Figs. 3-1, 3-9
$f_{max}$	Maximum Count Frequency $\overline{CP}_1$ Input	16		16		MHz	Figs. 3-1, 3-9
$t_{PLH}$ $t_{PHL}$	Propagation Delay $\overline{CP}_0$ to $Q_0$	16 18		16 18		ns	Figs. 3-1, 3-9
$t_{PLH}$ $t_{PHL}$	Propagation Delay $CP_0$ to $Q_3$	70 70		70 70		ns	Figs. 3-1, 3-9
$t_{PLH}$ $t_{PHL}$	Propagation Delay $\overline{CP}_1$ to $Q_1$	16 21		16 21		ns	Figs. 3-1, 3-9
$t_{PLH}$ $t_{PHL}$	Propagation Delay $\overline{CP}_1$ to $Q_2$	32 35		32 35		ns	Figs. 3-1, 3-9
$t_{PLH}$ $t_{PHL}$	Propagation Delay $\overline{CP}_1$ to $Q_3$	51 51		51 51		ns	Figs. 3-1, 3-9
$t_{PHL}$	Propagation Delay MR to $Q_n$	40		40		ns	Figs. 3-1, 3-17

**AC OPERATING REQUIREMENTS:**  $V_{CC} = +5.0 \text{ V}, T_A = +25^\circ \text{ C}$ 

SYMBOL	PARAMETER	54/74		54/74LS		UNITS	CONDITIONS
		Min	Max	Min	Max		
$t_w$ (H)	$\overline{CP}_0$ Pulse Width HIGH	15		15		ns	Fig. 3-9
$t_w$ (H)	$\overline{CP}_1$ Pulse Width HIGH	30		30		ns	Fig. 3-9
$t_w$ (H)	MR Pulse Width HIGH	15		15		ns	Fig. 3-17
$t_{rec}$	Recovery Time, MR to $\overline{CP}$	25		25		ns	Fig. 3-17