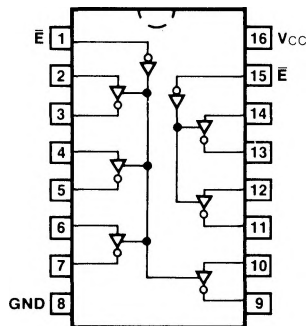


54LS/74LS368A

HEX 3-INPUT INVERTER BUFFER
(With Separate 2-Bit and 4-Bit Sections)

CONNECTION DIAGRAM
PINOUT A



ORDERING CODE: See Section 9

PKGS	PIN OUT	COMMERCIAL GRADE	MILITARY GRADE	PKG TYPE
		V _{CC} = +5.0 V ±5%, T _A = 0° C to +70° C	V _{CC} = +5.0 V ±10%, T _A = -55° C to +125° C	
Plastic DIP (P)	A	74LS368APC		9B
Ceramic DIP (D)	A	74LS368ADC	54LS368ADM	6B
Flatpak (F)	A	74LS368AFC	54LS368AFM	4L

TRUTH TABLE

INPUTS		OUTPUT
E	D	
L	L	H
L	H	L
H	X	Z

H = HIGH Voltage Level
L = LOW Voltage Level
X = Immaterial
Z = High Impedance

INPUT LOADING/FAN-OUT: See Section 3 for U.L. definitions

PINS	54/74LS (U.L.) HIGH/LOW
Inputs	0.5/0.25
Outputs	25/15 (7.5)

DC AND AC CHARACTERISTICS: See Section 3*

SYMBOL	PARAMETER	54/74LS		UNITS	CONDITIONS
		Min	Max		
I _{CC}	Power Supply Current		21	mA	V _{CC} = Max, V _{IN} = 0 V, V _E = 4.5 V
t _{PLH} t _{PHL}	Propagation Delay		12 22	ns	Figs. 3-1, 3-5 C _L = 50 pF
t _{PZH} t _{PZL}	Output Enable Time		24 30	ns	Figs. 3-3, 3-11, 3-12 R _L = 667 Ω, C _L = 50 pF
t _{PLZ} t _{PHZ}	Output Disable Time		20 25	ns	Figs. 3-3, 3-11, 3-12 R _L = 667 Ω, C _L = 5 pF

*DC limits apply over operating temperature range; AC limits apply at T_A = +25° C and V_{CC} = +5.0 V.