

54S/74S289
54LS/74LS289

64-BIT RANDOM ACCESS MEMORY
(With Open-Collector Outputs)

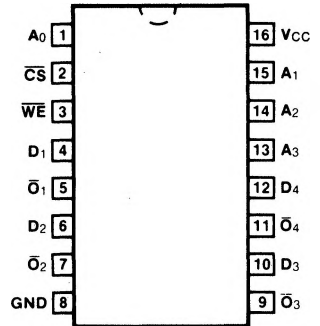
DESCRIPTION — The '289 is a high speed 64-bit RAM organized as a 16-word by 4-bit array. Address inputs are buffered to minimize loading, and addresses are fully decoded on-chip. Outputs are open-collector type and are in the off (HIGH) state whenever the Chip Select (CS) input is HIGH. The outputs are active only in the Read mode; output data is the complement of the stored data.

- OPEN-COLLECTOR OUTPUTS FOR WIRED-AND APPLICATIONS
- BUFFERED INPUTS MINIMIZE LOADING
- ADDRESS DECODING ON-CHIP
- DIODE CLAMPED INPUTS MINIMIZE RINGING

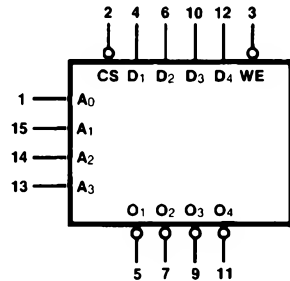
ORDERING CODE: See Section 9

PKGS	PIN OUT	COMMERCIAL GRADE	MILITARY GRADE	PKG TYPE
		V _{CC} = +5.0 V ±5%, T _A = 0°C to +70°C	V _{CC} = +5.0 V ±10%, T _A = -55°C to +125°C	
Plastic DIP (P)	A	74S289PC, 74LS289PC		9B
Ceramic DIP (D)	A	74S289DC, 74LS289DC	54S289DM, 54LS289DM	6B
Flatpak (F)	A	74S289FC, 74LS289FC	54S289FM, 54LS289FM	4L

CONNECTION DIAGRAM
PINOUT A



LOGIC SYMBOL



V_{CC} = Pin 16
GND = Pin 8

INPUT LOADING/FAN-OUT: See Section 3 for U.L. definitions

PIN NAMES	DESCRIPTION	54/74S (U.L.) HIGH/LOW	54/74LS (U.L.) HIGH/LOW
A ₀ — A ₃	Address Inputs	0.63/0.16	0.5/0.013
CS	Chip Select Input (Active LOW)	0.63/0.16	0.5/0.013
WE	Write Enable Input (Active LOW)	0.63/0.16	0.5/0.013
D ₁ — D ₄	Data Inputs	0.63/0.16	0.5/0.013
O ₁ — O ₄	Inverted Data Outputs	OC*/10	OC*/10 (5.0)

*OC — Open Collector

FUNCTION TABLE

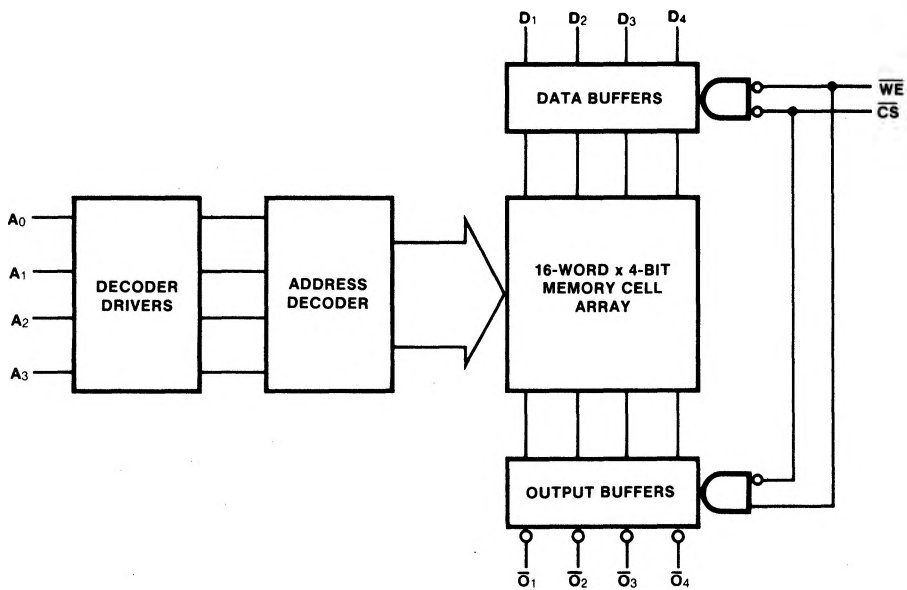
INPUTS		OPERATION	CONDITION OF OUTPUTS
CS	WE		
L	L	Write	Off (HIGH)
L	H	Read	Complement of Stored Data
H	X	Inhibit	Off (HIGH)

H = HIGH Voltage Level

L = LOW Voltage Level

X = Immaterial

LOGIC DIAGRAM



DC CHARACTERISTICS OVER OPERATING TEMPERATURE RANGE (unless otherwise specified)								
SYMBOL	PARAMETER		54/74S		54/74LS		UNITS	CONDITIONS
			Min	Max	Min	Max		
V _{OL}	Output LOW Voltage	XM	0.5		0.4		V	V _{CC} = Min I _{OL} = 16 mA ('S289) I _{OL} = 8.0 mA (54LS289) I _{OL} = 16 mA (74LS289)
		XC	0.45		0.5			
I _{OH}	Output HIGH Current		40 100		20 100		μA	V _{OH} = 2.4 V V _{OH} = 5.5 V
I _{CC}	Power Supply Current		105		40			mA
AC CHARACTERISTICS OVER RECOMMENDED V _{CC} AND T _A RANGE (unless otherwise specified)								
SYMBOL	PARAMETER		54/74S		54/74LS		UNITS	CONDITIONS
			C _L = 30 pF R _L = *		C _L = 15 pF R _L = 2 kΩ			
			Min	Max	Min	Max		
t _{PLH} t _{PHL}	Access Time, HIGH or LOW, A _n to \overline{O}_n		XM XC	50 35	37** 37**	ns	Figs. 3-2, 3-20	
t _{PHL}	Access Time CS to \overline{O}_n		XM XC	25 17	10** 10**	ns	Figs. 3-2, 3-5	
t _{PLH}	Disable Time CS to \overline{O}_n		XM XC	20 17		ns		
t _{PHL}	Recovery Time WE to \overline{O}_n		XM XC	40 35	30** 30**	ns	Figs. 3-2, 3-4	
t _{PLH}	Disable Time WE to \overline{O}_n		XM XC	30 25		ns		
AC OPERATING REQUIREMENTS OVER RECOMMENDED V _{CC} AND T _A RANGE (unless otherwise specified)								
SYMBOL	PARAMETER		54/74S		54/74LS		UNITS	CONDITIONS
			Min	Max	Min	Max		
t _s (H) t _s (L)	Setup Time, HIGH or LOW A _n to WE		0 0		10** 10**		ns	Fig. 3-21
t _h (H) t _h (L)	Hold Time, HIGH or LOW A _n to WE		0 0		0** 0**			
t _s (H) t _s (L)	Setup Time, HIGH or LOW D _n to WE		20 20		25** 25**		ns	Fig. 3-13
t _h (H) t _h (L)	Hold Time HIGH or LOW D _n to WE		0 0		0* 0*			
t _s (L)	Setup Time LOW CS to \overline{WE}		0				ns	Fig. 3-14
t _h (L)	Hold Time LOW CS to \overline{WE}		0				ns	Fig. 3-13
t _w (L)	\overline{WE} Pulse Width LOW		20		25**		ns	Fig. 3-14

*R_L = 300 Ω to V_{CC} and 600 Ω to Gnd.

**Typical Value