

54S/74S189 54LS/74LS189

64-BIT RANDOM ACCESS MEMORY (With 3-State Outputs)

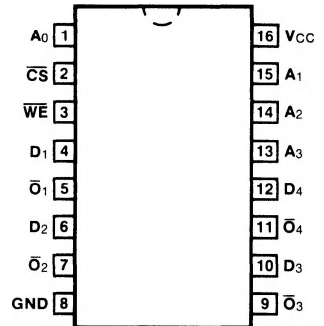
DESCRIPTION — The '189 is a high speed 64-bit RAM organized as a 16-word by 4-bit array. Address inputs are buffered to minimize loading and are fully decoded on-chip. The outputs are 3-state and are in the high impedance state whenever the Chip Select (CS) input is HIGH. The outputs are active only in the Read mode and the output data is the complement of the stored data.

- 3-STATE OUTPUTS FOR DATA BUS APPLICATIONS
- BUFFERED INPUTS MINIMIZE LOADING
- ADDRESS DECODING ON-CHIP
- DIODE CLAMPED INPUTS MINIMIZE RINGING

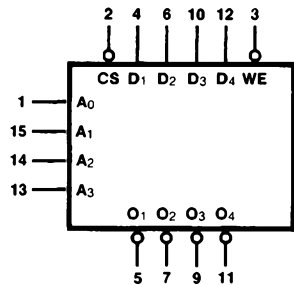
ORDERING CODE: See Section 9

PKGS	PIN OUT	COMMERCIAL GRADE	MILITARY GRADE	PKG TYPE
		V _{CC} = +5.0 V ±5%, T _A = 0°C to +70°C	V _{CC} = +5.0 V ±10%, T _A = -55°C to +125°C	
Plastic DIP (P)	A	74S189PC, 74LS189PC		9B
Ceramic DIP (D)	A	74S189DC, 74LS189DC	54S189DM, 54LS189DM	6B
Flatpak (F)	A	74S189FC, 74LS189FC	54S189FM, 54LS189FM	4L

CONNECTION DIAGRAM PINOUT A



LOGIC SYMBOL



V_{CC} = Pin 16
GND = Pin 8

INPUT LOADING/FAN-OUT: See Section 3 for U.L. definitions

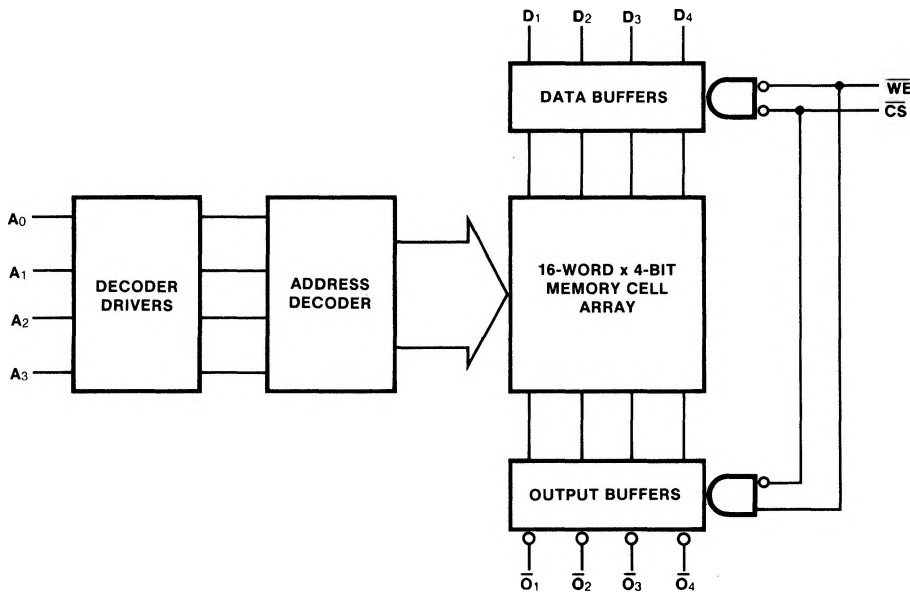
PIN NAMES	DESCRIPTION	54/74S (U.L.) HIGH/LOW	54/74LS (U.L.) HIGH/LOW
A ₀ — A ₃	Address Inputs	0.63/0.16	0.5/0.013
\overline{CS}	Chip Select Input (Active LOW)	0.63/0.16	0.5/0.013
\overline{WE}	Write Enable Input (Active LOW)	0.63/0.16	0.5/0.013
D ₁ — D ₄	Data Inputs	0.63/0.16	0.5/0.013
$\overline{O_1}$ — $\overline{O_4}$	Inverted Data Outputs	162/10 (50)	10/10 (5.0)

FUNCTION TABLE

INPUTS		OPERATION	CONDITION OF OUTPUTS
\overline{CS}	\overline{WE}		
L	L	Write	High Impedance
L	H	Read	Complement of Stored Data
H	X	Inhibit	High Impedance

H = HIGH Voltage Level
 L = LOW Voltage Level
 X = Immaterial

LOGIC DIAGRAM



DC CHARACTERISTICS OVER OPERATING TEMPERATURE RANGE (unless otherwise specified)

SYMBOL	PARAMETER	54/74S		54/74LS		UNITS	CONDITIONS
		Min	Max	Min	Max		
V _{OL}	Output LOW Voltage	XM	0.5	0.4	V	V _{CC} = Min I _{OL} = 16 mA ('S189) I _{OL} = 8.0 mA (54LS189) I _{OL} = 16 mA (74LS189)	
		XC	0.45	0.5			
V _{OH}	Output HIGH Voltage	XM	2.4	2.8	V		
		XC	2.4	2.8			
I _{OS}	Output Short Circuit Current	-30	-100	-80*	mA	V _{CC} = Max	
I _{CC}	Power Supply Current	110		40	mA	V _{CC} = Max; \overline{WE} , \overline{CS} , Gnd	

*Typical Value

AC CHARACTERISTICS OVER RECOMMENDED V_{CC} AND T_A RANGE (unless otherwise specified)

SYMBOL	PARAMETER	54/74S		54/74LS		UNITS	CONDITIONS
		C _L = 30 pF R _L = 300 Ω		C _L = 15 pF			
		Min	Max	Min	Max		
t _{PLH} t _{PHL}	Access Time, HIGH or LOW, A _n to \overline{O}_n	XM XC	50 35	37* 37*	ns	Figs. 3-1, 3-20	
tpZH tpZL	Access Time, HIGH or LOW, \overline{CS} to \overline{O}_n	XM XC	32 22	10* 10*	ns	Figs. 3-3, 3-11, 3-12 R _L = 2 kΩ ('LS189)	
tPHZ	Disable Time \overline{CS} to \overline{O}_n	XM XC	25 25		ns	Figs. 3-3, 3-11, 3-12 R _L = 2 kΩ ('LS189) C _L = 5 pF	
tPLZ	Disable Time \overline{CS} to \overline{O}_n	XM XC	25 17				
tpZH tpZL	Access Time, HIGH or LOW, \overline{WE} to \overline{O}_n	XM XC	40 30		ns	Figs. 3-3, 3-11, 3-12 R _L = 2 kΩ ('LS189)	
tPHZ	Disable Time \overline{WE} to \overline{O}_n	XM XC	30 20		ns	Figs. 3-3, 3-11, 3-12 R _L = 2 kΩ ('LS189) C _L = 5 pF	
tPLZ	Disable Time \overline{WE} to \overline{O}_n	XM XC	32 20				

AC OPERATING REQUIREMENTS OVER RECOMMENDED V_{CC} AND T_A RANGE (unless otherwise specified)

SYMBOL	PARAMETER	54/74S		54/74LS		UNITS	CONDITIONS
		Min	Max	Min	Max		
t _s (H) t _s (L)	Setup Time HIGH or LOW A _n to \overline{WE}	0		10*		ns	Fig. 3-21
t _h (H) t _h (L)	Hold Time HIGH or LOW A _n to \overline{WE}	0		0*		ns	
t _s (H) t _s (L)	Setup Time HIGH or LOW D _n to \overline{WE}	20		25*		ns	Fig. 3-13
t _h (H) t _h (L)	Hold Time HIGH or LOW D _n to \overline{WE}	0		0*		ns	
t _s (L)	Setup Time LOW \overline{CS} to \overline{WE}	0				ns	Fig. 3-14
t _h (L)	Hold Time LOW \overline{CS} to \overline{WE}	0				ns	Fig. 3-13
t _w (L)	\overline{WE} Pulse Width LOW	20		25*		ns	Fig. 3-14

*Typical Value