

# 74LCX10

## Triple 3-Input NAND Gate with 5V Tolerant Inputs

### General Description

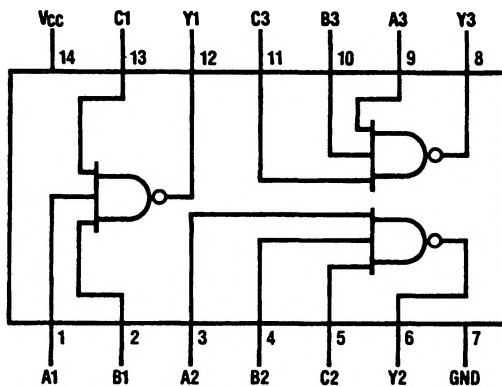
The 74LCX10 is a triple 3-input NAND gate with buffered outputs. LCX devices are designed for low voltage (3.3V) operation with the added capability of interfacing to a 5V signal environment.

The 74LCX10 is fabricated with advanced CMOS technology to achieve high speed operation while maintaining CMOS low power dissipation.

### Features

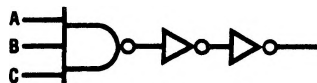
- 5V tolerant inputs
- Power down high impedance inputs and outputs
- 2.0V–3.6V  $V_{CC}$  supply operation
- $\pm 24$  mA output drive
- Implements patented Quiet Series™ noise/EMI reduction circuitry
- Functionally compatible with 74 series 10
- Latch-up performance exceeds 500 mA
- ESD performance:
  - Human body model > 2000V
  - Machine model > 200V

### Connection and Logic Diagrams



TL/F/12427-1

Top View



$$Y = \overline{ABC}$$

TL/F/12427-2