

74LCX05 Hex Inverter (Open Drain) with 5V Tolerant Inputs

General Description

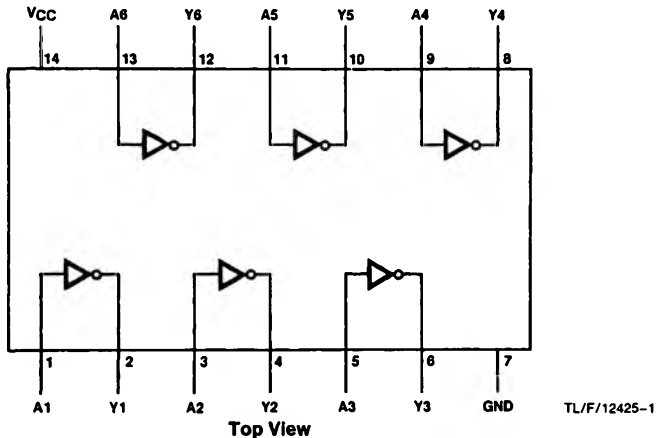
The 74LCX05 is an open drain hex inverter. The 74LCX05 requires the addition of an external resistor to perform a wire-NOR function. LCX devices are designed for low voltage (3.3V) operation with the added capability of interfacing to a 5V signal environment.

The 74LCX05 is fabricated with advanced CMOS technology to achieve high speed operation while maintaining CMOS low power dissipation.

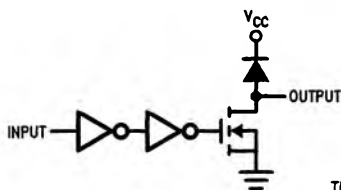
Features

- 5V tolerant inputs
- Power down high impedance inputs and outputs
- 2.0V–3.6V V_{CC} supply operation
- ± 24 mA output drive
- Implements patented Quiet Series™ noise/EMI reduction circuitry
- Functionally compatible with 74 series 05
- Latch-up performance exceeds 500 mA
- ESD performance:
 - Human body model > 2000V
 - Machine model > 200V

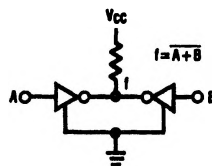
Connection Diagram



Logic Diagram



Typical Application



Note: Can be extended to more than 2 inputs.