

54FCT/74FCT563A

Octal Latch with TRI-STATE® Outputs

General Description

The 'FCT563A is a high-speed octal latch with buffered common Latch Enable (LE) and buffered common Output Enable (\overline{OE}) inputs.

The 'FCT563A device is functionally identical to the 'FCT573A, but with inverted outputs.

FACT™ FCTA utilizes NSC quiet series technology to provide improved quiet output switching and dynamic threshold performance.

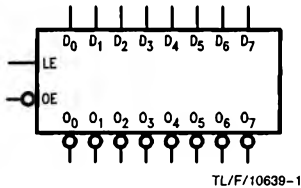
FACT FCTA features undershoot correction and split ground bus for superior performance.

Features

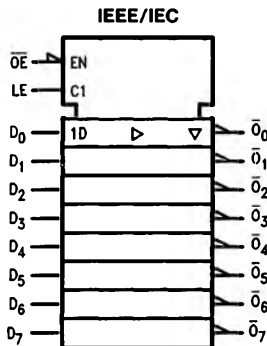
- Inputs and outputs on opposite side of package allow easy interface with microprocessors
- Useful as input or output port for microprocessors
- Input clamp diodes to limit bus reflections
- TTL/CMOS input and output level compatible
- $I_{OL} = 48 \text{ mA (Com), } 32 \text{ mA (Mil)}$
- CMOS power levels
- 4 kV minimum ESD immunity
- Military product compliant to MIL-STD-883
- Inherently radiation tolerant

Ordering Code: See Section 8

Logic Symbols



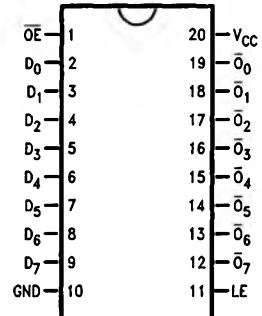
TL/F/10639-1



TL/F/10639-2

Connection Diagrams

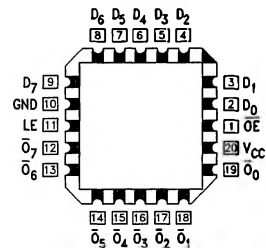
Pin Assignment for DIP, Flatpak and SOIC



TL/F/10639-3

Pin Names	Description
D ₀ -D ₇	Data Inputs
LE	Latch Enable Input
\overline{OE}	TRI-STATE Output Enable Input
\overline{O}_0 - \overline{O}_7	TRI-STATE Latch Outputs

Pin Assignment for LCC



TL/F/10639-4

Functional Description

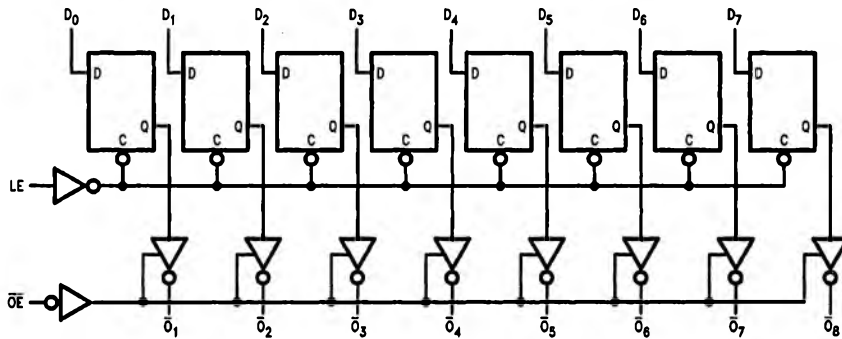
The 'FCT563A contains eight D-type latches with TRI-STATE complementary outputs. When the Latch Enable (LE) input is HIGH, data on the D_n inputs enters the latches. In this condition the latches are transparent, i.e., a latch output will change state each time its D input changes. When LE is LOW the latches store the information that was present on the D inputs a setup time preceding the HIGH-to-LOW transition of LE. The TRI-STATE buffers are controlled by the Output Enable (\overline{OE}) input. When \overline{OE} is LOW, the buffers are in the TRI-STATE mode. When \overline{OE} is HIGH the buffers are in the high impedance mode but that does not interfere with entering new data into the latches.

Function Table

Inputs			Outputs	Function
\overline{OE}	LE	D	O	
H	X	X	Z	High-Z
L	H	L	H	Transparent
L	H	H	L	Transparent
L	L	X	NC	Latched

H = HIGH Voltage Level
 L = LOW Voltage Level
 X = Immaterial
 Z = High Impedance
 NC = No Change

Logic Diagram



TL/F/10639-5

Please note that this diagram is provided only for the understanding of logic operations and should not be used to estimate propagation delays.

Absolute Maximum Ratings (Note 1)

If Military/Aerospace specified devices are required, please contact the National Semiconductor Sales Office/Distributors for availability and specifications.

Terminal Voltage with Respect to GND (V_{TERM})	
54FCTA	-0.5V to +7.0V
74FCTA	-0.5V to +7.0V
Temperature under Bias (T_{BIAS})	
74FCTA	-55°C to +125°C
54FCTA	-65°C to +135°C
Storage Temperature (T_{STG})	
74FCTA	-55°C to +125°C
54FCTA	-65°C to +150°C
Power Dissipation (P_T)	0.5W
DC Output Current (I_{OUT})	120 mA

Note 1: Absolute maximum ratings are those values beyond which damage to the device may occur. The databook specifications should be met, without exception, to ensure that the system design is reliable over its power supply, temperature, and output/input loading variables. National does not recommend operation of FACT™ circuits outside databook specifications.

Recommended Operating Conditions

Supply Voltage (V_{CC})	
54FCTA	4.5V to 5.5V
74FCTA	4.75V to 5.25V
Input Voltage	0V to V_{CC}
Output Voltage	0V to V_{CC}
Operating Temperature (T_A)	
54FCTA	-55°C to +125°C
74FCTA	0°C to +70°C
Junction Temperature (T_J)	
CDIP	175°C
PDIP	140°C

DC Characteristics for 'FCTA Family Devices

Typical values are at $V_{CC} = 5.0V$, 25°C ambient and maximum loading. For test conditions shown as Max, use the value specified for the appropriate device type: Com: $V_{CC} = 5.0V \pm 5\%$, $T_A = 0^\circ C$ to $+70^\circ C$; Mil: $V_{CC} = 5.0V \pm 10\%$, $T_A = -55^\circ C$ to $+125^\circ C$, $V_{HC} = V_{CC} - 0.2V$

Symbol	Parameter	54FCTA/74FCTA			Units	Conditions		
		Min	Typ	Max				
V_{IH}	Minimum High Level Input Voltage	2.0			V			
V_{IL}	Maximum Low Level Input Voltage			0.8	V			
I_{IH}	Input High Current			5.0 5.0	μA	$V_{CC} = \text{Max}$	$V_I = V_{CC}$ $V_I = 2.7V$ (Note 2)	
I_{IL}	Input Low Current			-5.0 -5.0	μA	$V_{CC} = \text{Max}$	$V_I = 0.5V$ (Note 2) $V_I = \text{GND}$	
I_{OZ}	Maximum TRI-STATE Current			10.0 10.0 -10.0 -10.0	μA	$V_{CC} = \text{Max}$	$V_O = V_{CC}$ $V_O = 2.7V$ (Note 2) $V_O = 0.5V$ (Note 2) $V_O = \text{GND}$	
V_{IK}	Clamp Diode Voltage		-0.7	-1.2	V	$V_{CC} = \text{Min}$; $I_N = -18 \text{ mA}$		
I_{OS}	Short Circuit Current	-60	-120		mA	$V_{CC} = \text{Max}$ (Note 1); $V_O = \text{GND}$		
V_{OH}	Minimum High Level Output Voltage	2.8	3.0		V	$V_{CC} = 3V$; $V_{IN} = 0.2V$ or V_{HC} ; $I_{OH} = -32 \mu A$	$V_{CC} = \text{Min}$ $V_{IN} = V_{IH}$ or V_{IL}	
		V_{HC}	V_{CC}					$I_{OH} = -300 \mu A$
		2.4	4.3					$I_{OH} = -12 \text{ mA}$ (Mil)
		2.4	4.3					$I_{OH} = -15 \text{ mA}$ (Com)
V_{OL}	Maximum Low Level Output Voltage		GND	0.2	V	$V_{CC} = 3V$; $V_{IN} = 0.2V$ or V_{HC} ; $I_{OL} = 300 \mu A$	$V_{CC} = \text{Min}$ $V_{IN} = V_{IH}$ or V_{IL}	
			GND	0.2				$I_{OL} = 300 \mu A$
			0.3	0.50				$I_{OL} = 32 \text{ mA}$ (Mil)
			0.3	0.50				$I_{OL} = 48 \text{ mA}$ (Com)

DC Characteristics for FCTA Family Devices (Continued)

Typical values are at $V_{CC} = 5.0V$, $25^{\circ}C$ ambient and maximum loading. For test conditions shown as Max, use the value specified for the appropriate device type: Com: $V_{CC} = 5.0V \pm 5\%$, $T_A = 0^{\circ}C$ to $+70^{\circ}C$; Mil: $V_{CC} = 5.0V \pm 10\%$, $T_A = -55^{\circ}C$ to $+125^{\circ}C$, $V_{HC} = V_{CC} - 0.2V$

Symbol	Parameter	54FCTA/74FCTA			Units	Conditions	
		Min	Typ	Max			
I_{CC}	Maximum Quiescent Supply Current	0.001	1.5		mA	$V_{CC} = \text{Max}$ $V_{IN} \geq V_{HC} \leq 0.2V$ $f_I = 0$	
ΔI_{CC}	Quiescent Supply Current; TTL Inputs HIGH	0.5	2.0		mA	$V_{CC} = \text{Max}$ $V_{IN} = 3.4V$ (Note 3)	
I_{CCD}	Dynamic Power Supply Current (Note 4)	0.25	0.45		mA/MHz	$V_{CC} = \text{Max}$ Outputs Open $\overline{OE} = \text{GND}$ $LE = V_{CC}$ One Input Toggling 50% Duty Cycle	$V_{IN} \geq V_{HC}$ $V_{IN} \leq 0.2V$
I_C	Total Power Supply Current (Note 6)	1.5	4.5		mA	$V_{CC} = \text{Max}$ Outputs Open $\overline{OE} = \text{GND}$	$V_{IN} \geq V_{HC}$ $V_{IN} \leq 0.2V$
		1.8	5.0			$LE = V_{CC}$ $f_I = 10 \text{ MHz}$ One Bit Toggling 50% Duty Cycle	$V_{IN} = 3.4V$ $V_{IN} = \text{GND}$
		3.0	8.0			(Note 5) $V_{CC} = \text{Max}$ Outputs Open $\overline{OE} = \text{GND}$	$V_{IN} \geq V_{HC}$ $V_{IN} \leq 0.2V$
		5.0	14.5			$LE = V_{CC}$ $f_I = 2.5 \text{ MHz}$ Eight Bits Toggling 50% Duty Cycle	$V_{IN} = 3.4V$ $V_{IN} = \text{GND}$
V_H	Input Hysteresis on Clock Only	200			mV		

Note 1: Maximum test duration not to exceed one second, not more than one output shorted at one time.

Note 2: This parameter guaranteed but not tested.

Note 3: Per TTL driven input ($V_{IN} = 3.4V$); all other inputs at V_{CC} or GND.

Note 4: This parameter is not directly testable, but is derived for use in Total Power Supply calculations.

Note 5: Values for these conditions are examples of the I_{CC} formula. These limits are guaranteed but not tested.

Note 6: $I_C = I_{\text{QUIESCENT}} + I_{\text{INPUTS}} + I_{\text{DYNAMIC}}$

$$I_C = I_{CC} + \Delta I_{CC} D_H N_T + I_{CCD} (f_{CP}/2 + f_I N_I)$$

I_{CC} = Quiescent Current

ΔI_{CC} = Power Supply Current for a TTL High Input ($V_{IN} = 3.4V$)

D_H = Duty Cycle for TTL inputs High

N_T = Number of Inputs at D_H

I_{CCD} = Dynamic Current Caused by an Input Transition Pair (HLH or LHL)

f_{CP} = Clock Frequency for Register Devices (Zero for Non-Register Devices)

f_I = Input Frequency

N_I = Number of Inputs at f_I

All currents are in milliamps and all frequencies are in megahertz.

AC Electrical Characteristics: See Section 2 for Waveforms

Symbol	Parameter	54FCTA/74FCTA	74FCTA		54FCTA		Units	Fig. No.
		$T_A = 25^\circ\text{C}$ $V_{CC} = 5.0\text{V}$	$T_A, V_{CC} = \text{Com}$ $R_L = 500\Omega$ $C_L = 50\text{pF}$		$T_A, V_{CC} = \text{Mil}$ $R_L = 500\Omega$ $C_L = 50\text{pF}$			
		Typ	Min	Max	Min	Max		
t_{PLH} t_{PHL}	Propagation Delay D_n to \bar{O}_n	4.0	1.5	5.2			ns	2-8
t_{PLH} t_{PHL}	Propagation Delay LE to \bar{O}_n	7.0	2.0	8.5			ns	2-8
t_{PZL} t_{PZH}	Output Enable Time	5.5	1.5	6.5			ns	2-11
t_{PHZ} t_{PLZ}	Output Disable Time	4.0	1.5	5.5			ns	2-11
t_S	Set Up Time High or Low D_n to LE	1.0	2.0				ns	2-10
t_H	Hold Time High or Low D_n to LE	1.0	1.5				ns	2-10
t_W	LE Pulse Width High or Low	4.0	5.0				ns	2-9

Minimum limits are guaranteed but not tested on propagation delays.

Capacitance $T_A = +25^\circ\text{C}$, $f = 1.0\text{ MHz}$

Symbol	Parameter	Typ	Max	Units	Conditions
C_{IN}	Input Capacitance	6	10	pF	$V_{IN} = 0\text{V}$
C_{OUT}	Output Capacitance	8	12	pF	$V_{OUT} = 0\text{V}$

Note: This parameter is measured at characterization but not tested.