

54FCT/74FCT544 Octal Registered Transceiver

General Description

The 'FCT544 octal transceiver contains two sets of D-type latches for temporary storage of data flowing in either direction. Separate Latch Enable and Output Enable inputs are provided for each register to permit independent control of inputting and outputting in either direction of data flow. The 'FCT544 inverts data in both directions.

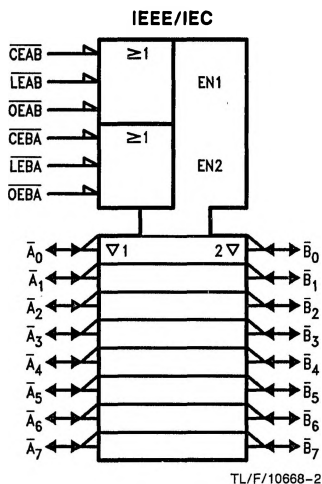
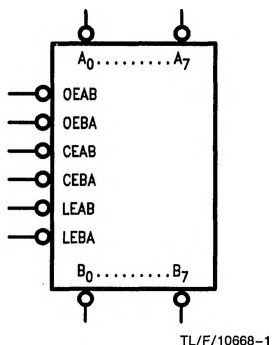
FACT™ FCT utilizes NSC quiet series technology to provide improved quiet output switching and dynamic threshold performance.

FACT FCT features GTOTM™ output control and undershoot corrector in addition to a split ground bus for superior performance.

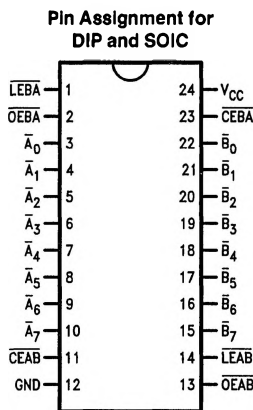
Features

- NSC 54FCT/74FCT544 is pin and functionally equivalent to IDT 54FCT/74FCT544
- Back to back registers for storage
- Separate controls for data flow in each direction
- Input clamp diodes to limit bus reflections
- TTL/CMOS input and output level compatible
- $I_{OL} = 64 \text{ mA (com)}, 48 \text{ mA (mil)}$
- CMOS power levels
- 4 kV minimum ESD immunity
- Military Product compliant to MIL-STD 883

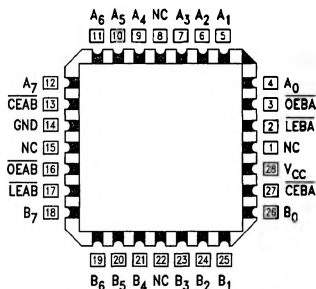
Logic Symbols



Connection Diagrams



Pin Assignment for LCC



Pin Names	Description
\overline{OEAB}	A-to-B Output Enable Input (Active LOW)
\overline{OEBA}	B-to-A Output Enable Input (Active LOW)
\overline{CEAB}	A-to-B Enable Input (Active LOW)
\overline{CEBA}	B-to-A Enable Input (Active LOW)
\overline{LEAB}	A-to-B Latch Enable Input (Active LOW)
\overline{LEBA}	B-to-A Latch Enable Input (Active LOW)
$\overline{A_0} - \overline{A_7}$	A-to-B Data Inputs or B-to-A TRI-STATE® Outputs
$\overline{B_0} - \overline{B_7}$	B-to-A Data Inputs or A-to-B TRI-STATE Outputs