



54AC/74AC843 • 54ACT/74ACT843 8-Bit Transparent Latch

General Description

The 'AC/'ACT843 bus interface latch is designed to eliminate the extra packages required to buffer existing latches and provide extra data width for wider address/data paths.

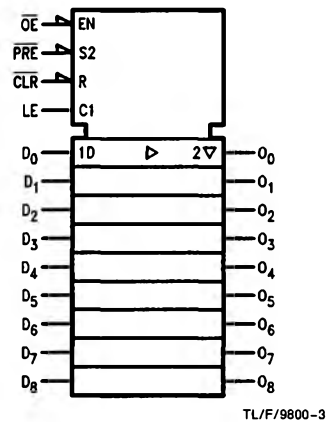
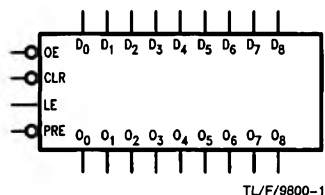
The 'AC/'ACT843 is functionally and pin compatible with AMD's Am29843.

Features

- 'ACT843 has TTL-compatible inputs
- TRI-STATE® outputs for bus interfacing

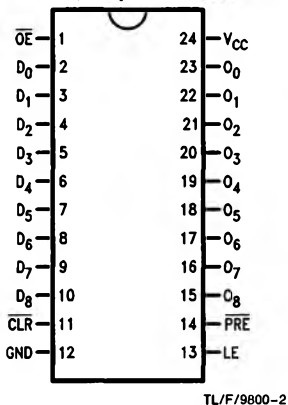
Ordering Code: See Section 8

Logic Symbols

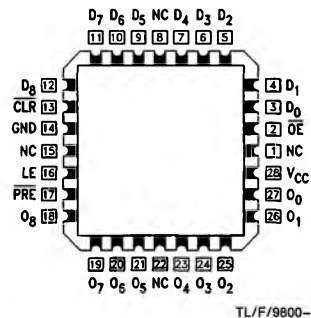


Connection Diagrams

**Pin Assignment
for DIP, Flatpak and SOIC**



**Pin Assignment
for LCC**



Pin Names	Description
D ₀ -D ₇	Data Inputs
O ₀ -O ₇	Data Outputs
OE	Output Enable
LE	Latch Enable
CLR	Clear
PRE	Preset

Functional Description

The 'AC/ACT843 consists of nine D-type latches with TRI-STATE outputs. The flip-flops appear transparent to the data when Latch Enable (LE) is HIGH. This allows asynchronous operation, as the output transition follows the data in transition. On the LE HIGH-to-LOW transition, the data that meets the setup times is latched. Data appears on the bus when the Output Enable (\overline{OE}) is LOW. When \overline{OE} is HIGH, the bus output is in the high impedance state. In

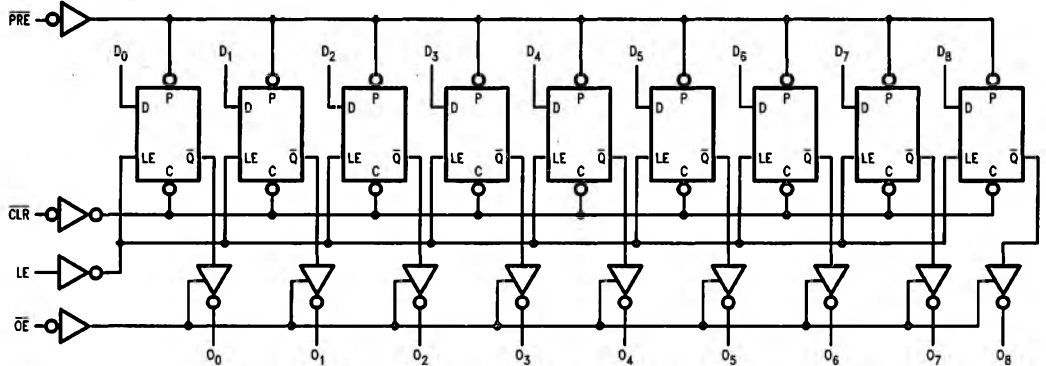
addition to the LE and \overline{OE} pins, the 'AC/ACT843 has a Clear (\overline{CLR}) pin and a Preset (PRE) pin. These pins are ideal for parity bus interfacing in high performance systems. When \overline{CLR} is LOW, the outputs are LOW if \overline{OE} is LOW. When \overline{CLR} is HIGH, data can be entered into the latch. When PRE is LOW, the outputs are HIGH if \overline{OE} is LOW. Preset overrides \overline{CLR} .

Function Tables

Inputs					Internal	Outputs	Function
\overline{CLR}	PRE	\overline{OE}	LE	D	Q	O	
H	H	H	H	L	L	Z	High Z
H	H	H	H	H	H	Z	High Z
H	H	H	L	X	NC	Z	Latched
H	H	L	H	L	L	L	Transparent
H	H	L	H	H	H	H	Transparent
H	H	L	L	X	NC	NC	Latched
H	L	L	X	X	H	H	Preset
L	H	L	X	X	L	L	Clear
L	L	L	X	X	H	H	Preset
L	H	H	L	X	L	Z	Clear/High Z
H	L	H	L	X	H	Z	Preset/High Z

H = HIGH Voltage Level
 L = LOW Voltage Level
 X = Immaterial
 Z = High Impedance
 NC = No Change

Logic Diagram



TL/F/9800-5

Absolute Maximum Ratings (Note 1)

If Military/Aerospace specified devices are required, please contact the National Semiconductor Sales Office/Distributors for availability and specifications.

Supply Voltage (V_{CC})	-0.5V to +7.0V
DC Input Diode Current (I_{IK})	
$V_I = -0.5V$	-20 mA
$V_I = V_{CC} + 0.5V$	+20 mA
DC Input Voltage (V_I)	-0.5V to $V_{CC} + 0.5V$
DC Output Diode Current (I_{OK})	
$V_O = -0.5V$	-20 mA
$V_O = V_{CC} + 0.5V$	+20 mA
DC Output Voltage (V_O)	-0.5V to $V_{CC} + 0.5V$
DC Output Source or Sink Current (I_O)	±50 mA
DC V_{CC} or Ground Current per Output Pin (I_{CC} or I_{GND})	±50 mA
Storage Temperature (T_{STG})	-65°C to +150°C
Junction Temperature (T_J)	
CDIP	175°C
PDIP	140°C

Note 1: Absolute maximum ratings are those values beyond which damage to the device may occur. The databook specifications should be met, without exception, to ensure that the system design is reliable over its power supply, temperature, and output/input loading variables. National does not recommend operation of FACT™ circuits outside databook specifications.

Recommended Operating Conditions

Supply Voltage (V_{CC})	
'AC	2.0V to 6.0V
'ACT	4.5V to 5.5V
Input Voltage (V_I)	0V to V_{CC}
Output Voltage (V_O)	0V to V_{CC}
Operating Temperature (T_A)	
74AC/ACT	-40°C to +85°C
54AC/ACT	-55°C to +125°C
Minimum Input Edge Rate ($\Delta V/\Delta t$)	
'AC Devices	
V_{IN} from 30% to 70% of V_{CC}	
V_{CC} @ 3.3V, 4.5V, 5.5V	125 mV/ns
Minimum Input Edge Rate ($\Delta V/\Delta t$)	
'ACT Devices	
V_{IN} from 0.8V to 2.0V	
V_{CC} @ 4.5V, 5.5V	125 mV/ns

DC Electrical Characteristics for 'AC Family Devices

Symbol	Parameter	V_{CC} (V)	74AC		54AC		74AC		Units	Conditions
			$T_A = +25^\circ\text{C}$		$T_A = -55^\circ\text{C to } +125^\circ\text{C}$		$T_A = -40^\circ\text{C to } +85^\circ\text{C}$			
			Typ	Guaranteed Limits	Guaranteed Limits		Guaranteed Limits			
V_{IH}	Minimum High Level Input Voltage	3.0	1.5	2.1	2.1	2.1	2.1	V	$V_{OUT} = 0.1V$ or $V_{CC} - 0.1V$	
		4.5	2.25	3.15	3.15	3.15	3.15			
		5.5	2.75	3.85	3.85	3.85	3.85			
V_{IL}	Maximum Low Level Input Voltage	3.0	1.5	0.9	0.9	0.9	0.9	V	$V_{OUT} = 0.1V$ or $V_{CC} - 0.1V$	
		4.5	2.25	1.35	1.35	1.35	1.35			
		5.5	2.75	1.65	1.65	1.65	1.65			
V_{OH}	Minimum High Level Output Voltage	3.0	2.99	2.9	2.9	2.9	2.9	V	$I_{OUT} = -50 \mu\text{A}$	
		4.5	4.49	4.4	4.4	4.4	4.4			
		5.5	5.49	5.4	5.4	5.4	5.4			
			3.0		2.56	2.4	2.46	2.46	V	* $V_{IN} = V_{IL}$ or V_{IH} -12 mA I_{OH} -24 mA -24 mA
			4.5		3.86	3.7	3.76	3.76		
			5.5		4.86	4.7	4.76	4.76		
V_{OL}	Maximum Low Level Output Voltage	3.0	0.002	0.1	0.1	0.1	0.1	V	$I_{OUT} = 50 \mu\text{A}$	
		4.5	0.001	0.1	0.1	0.1	0.1			
		5.5	0.001	0.1	0.1	0.1	0.1			
			3.0		0.36	0.50	0.44	0.44	V	* $V_{IN} = V_{IL}$ or V_{IH} 12 mA I_{OL} 24 mA 24 mA
			4.5		0.36	0.50	0.44	0.44		
			5.5		0.36	0.50	0.44	0.44		
I_{IN}	Maximum Input Leakage Current	5.5		±0.1	±1.0	±1.0		μA	$V_I = V_{CC}, \text{GND}$	

*All outputs loaded; thresholds on input associated with output under test.

†Maximum test duration 2.0 ms, one output loaded at a time.

DC Electrical Characteristics for 'AC Family Devices (Continued)

Symbol	Parameter	V _{CC} (V)	74AC		54AC	74AC		Units	Conditions
			T _A = +25°C		T _A = -55°C to +125°C	T _A = -40°C to +85°C			
			Typ	Guaranteed Limits					
I _{OZ}	Maximum TRI-STATE Leakage Current	5.5		±0.5	±10.0		±5.0	μA	V _I (OE) = V _{IL} , V _{IH} V _I = V _{CC} , GND V _O = V _{CC} , GND
I _{OLD}	†Minimum Dynamic Output Current	5.5			50		75	mA	V _{OLD} = 1.65V Max
I _{OHD}		5.5			-50		-75	mA	V _{OHD} = 3.85V Min
I _{CC}	Maximum Quiescent Supply Current	5.5		8.0	160.0		80.0	μA	V _{IN} = V _{CC} or GND

*All outputs loaded; thresholds on input associated with output under test.

†Maximum test duration 2.0 ms, one output loaded at a time.

Note: I_{IN} and I_{CC} @ 3.0V are guaranteed to be less than or equal to the respective limit @ 5.5V V_{CC}.

I_{CC} for 54AC @ 25°C is identical to 74AC @ 25°C.

DC Electrical Characteristics for 'ACT Family Devices

Symbol	Parameter	V _{CC} (V)	74ACT		54ACT	74ACT		Units	Conditions
			T _A = +25°C		T _A = -55°C to +125°C	T _A = -40°C to +85°C			
			Typ	Guaranteed Limits					
V _{IH}	Minimum High Level Input Voltage	4.5	1.5	2.0	2.0		2.0	V	V _{OUT} = 0.1V or V _{CC} - 0.1V
		5.5	1.5	2.0	2.0		2.0		
V _{IL}	Maximum Low Level Input Voltage	4.5	1.5	0.8	0.8		0.8	V	V _{OUT} = 0.1V or V _{CC} - 0.1V
		5.5	1.5	0.8	0.8		0.8		
V _{OH}	Minimum High Level Output Voltage	4.5	4.49	4.4	4.4		4.4	V	I _{OUT} = -50 μA
		5.5	5.49	5.4	5.4		5.4		
		4.5		3.86	3.70		3.76		
5.5		4.86	4.70		4.76				
V _{OL}	Maximum Low Level Output Voltage	4.5	0.001	0.1	0.1		0.1	V	I _{OUT} = 50 μA
		5.5	0.001	0.1	0.1		0.1		
		4.5		0.36	0.50		0.44		
5.5		0.36	0.50		0.44				
I _{IN}	Maximum Input Leakage Current	5.5		±0.1	±1.0		±1.0	μA	V _I = V _{CC} , GND
I _{OZ}	Maximum TRI-STATE Leakage Current	5.5		±0.5	±10.0		±5.0	μA	V _I = V _{IL} , V _{IH} V _O = V _{CC} , GND
I _{CC} T	Maximum I _{CC} /Input	5.5	0.6		1.6		1.5	mA	V _I = V _{CC} - 2.1V
I _{OLD}	†Minimum Dynamic Output Current	5.5			50		75	mA	V _{OLD} = 1.65V Max
I _{OHD}		5.5			-50		-75	mA	V _{OHD} = 3.85V Min
I _{CC}	Maximum Quiescent Supply Current	5.5		8.0	160.0		80.0	μA	V _{IN} = V _{CC} or GND

*All outputs loaded; thresholds on input associated with output under test.

†Maximum test duration 2.0 ms, one output loaded at a time.

Note: I_{CC} for 54ACT @ 25°C is identical to 74ACT @ 25°C.

AC Electrical Characteristics: See Section 2 for Waveforms

Symbol	Parameter	V _{CC} * (V)	74AC			54AC		74AC		Units	Fig. No.
			T _A = +25°C C _L = 50 pF			T _A = -55°C to +125°C C _L = 50 pF		T _A = -40°C to +85°C C _L = 50 pF			
			Min	Typ	Max	Min	Max	Min	Max		
t _{PLH}	Propagation Delay D _n to O _n	3.3	3.5	6.5	12.0	1.0	14.0	2.5	13.0	ns	2-3, 4
		5.0	2.0	4.5	8.5	1.0	10.0	1.5	9.0		
t _{PHL}	Propagation Delay D _n to O _n	3.3	4.0	7.0	12.0	1.0	14.0	3.0	13.0	ns	2-3, 4
		5.0	2.5	5.0	8.5	1.0	10.0	1.5	9.0		
t _{PLH}	Propagation Delay LE to O _n	3.3	3.5	6.5	12.0	1.0	14.0	2.5	13.0	ns	2-3, 4
		5.0	2.0	4.5	8.5	1.0	10.0	1.5	9.0		
t _{PHL}	Propagation Delay LE to O _n	3.3	4.0	7.0	12.0	1.0	14.0	3.0	13.0	ns	2-3, 4
		5.0	2.5	5.0	8.5	1.0	10.0	1.5	9.0		
t _{PLH}	Propagation Delay PRE to O _n	3.3	5.5	8.5	19.0	1.0	23.5	4.5	21.5	ns	2-3, 4
		5.0	3.5	6.0	13.0	1.0	16.0	2.5	14.5		
t _{PHL}	Propagation Delay CLR to O _n	3.3	7.5	11.0	21.5	1.0	26.5	6.0	24.0	ns	2-3, 4
		5.0	5.0	7.5	15.0	1.0	19.0	4.0	17.0		
t _{PZH}	Output Enable Time OE to O _n	3.3	3.5	6.0	11.0	1.0	13.0	3.0	12.0	ns	2-5, 6
		5.0	2.0	4.5	8.0	1.0	10.0	1.5	9.0		
t _{PZL}	Output Enable Time OE to O _n	3.3	4.0	6.5	11.0	1.0	13.0	2.5	12.0	ns	2-5, 6
		5.0	2.0	5.0	8.0	1.0	10.0	1.5	9.0		
t _{PHZ}	Output Disable Time OE to O _n	3.3	4.0	6.5	10.5	1.0	12.0	3.5	11.0	ns	2-5, 6
		5.0	3.0	5.0	8.0	1.0	9.0	2.5	8.5		
t _{PLZ}	Output Disable Time OE to O _n	3.3	3.0	6.0	10.5	1.0	12.0	2.5	11.0	ns	2-5, 6
		5.0	2.0	4.5	8.0	1.0	9.0	1.5	8.5		
t _{PHL}	Propagation Delay PRE to O _n	3.3	4.5	7.0	12.5	1.0	15.0	3.5	13.5	ns	2-3, 4
		5.0	3.0	5.0	9.0	1.0	10.5	2.0	9.5		
t _{PLH}	Propagation Delay CLR to O _n	3.3	4.5	7.0	12.5	1.0	15.0	3.5	13.5	ns	2-3, 4
		5.0	3.0	5.0	9.0	1.0	10.5	2.0	9.5		

*Voltage Range 3.3 is 3.3V ± 0.3V

*Voltage Range 5.0 is 5.0V ± 0.5V

AC Operating Requirements: See Section 2 for Waveforms

Symbol	Parameter	V _{CC} * (V)	74AC		54AC	74AC	Units	Fig. No.
			T _A = +25°C C _L = 50 pF		T _A = -55°C to +125°C C _L = 50 pF	T _A = -40°C to +85°C C _L = 50 pF		
			Typ	Guaranteed Minimum				
t _s	Setup Time, HIGH or LOW D _n to LE	3.3	0	3.0	3.5	3.5	ns	2-7
		5.0	-0.5	1.5	2.0	2.0		
t _h	Hold Time, HIGH or LOW D _n to LE	3.3		2.0	2.0	2.0	ns	2-7
		5.0	-0.5	2.5	2.5	2.5		
t _w	LE Pulse Width, HIGH	3.3	1.5	3.0	3.5	3.0	ns	2-3
		5.0	1.5	3.0	3.0	3.0		
t _w	PRE Pulse Width, LOW	3.3	5.0	12.0	16.0	14.5	ns	2-3
		5.0	3.0	8.5	11.0	10.0		
t _w	CLR Pulse Width, LOW	3.3	5.5	14.0	18.5	16.5	ns	2-3
		5.0	4.0	10.0	13.0	12.0		
t _{rec}	PRE Recovery Time	3.3	1.0	3.0	3.5	3.0	ns	2-3,7
		5.0	0	1.5	1.5	1.5		
t _{rec}	CLR Recovery Time	3.3	0	1.5	2.5	1.5	ns	2-3,7
		5.0	-0.5	0.5	1.5	0.5		

*Voltage Range 3.3 is 3.3V ±0.3V

*Voltage Range 5.0 is 5.0V ±0.5V

AC Electrical Characteristics: See Section 2 for Waveforms

Symbol	Parameter	V _{CC} * (V)	74ACT			54ACT		74ACT		Units	Fig. No.
			T _A = +25°C C _L = 50 pF			T _A = -55°C to +125°C C _L = 50 pF		T _A = -40°C to +85°C C _L = 50 pF			
			Min	Typ	Max	Min	Max	Min	Max		
t _{PLH}	Propagation Delay D _n to O _n	5.0	2.5	5.5	9.5	1.0	11.0	2.0	10.0	ns	2-3, 4
t _{PHL}	Propagation Delay D _n to O _n	5.0	2.5	5.5	9.5	1.0	11.0	2.0	10.0	ns	2-3, 4
t _{PLH}	Propagation Delay LE to O _n	5.0	2.5	5.5	9.0	1.0	11.0	2.0	10.0	ns	2-3, 4
t _{PHL}	Propagation Delay LE to O _n	5.0	2.5	5.5	9.0	1.0	11.0	2.0	10.0	ns	2-3, 4
t _{PLH}	Propagation Delay PRE to O _n	5.0	2.5	6.5	14.0	1.0	17.5	2.0	16.0	ns	2-3, 4
t _{PHL}	Propagation Delay CLR to O _n	5.0	2.5	7.5	15.5	1.0	19.0	2.0	17.5	ns	2-3, 4
t _{PZH}	Output Enable Time OE to O _n	5.0	2.5	5.5	9.5	1.0	11.0	2.0	10.5	ns	2-5, 6
t _{PZL}	Output Enable Time OE to O _n	5.0	2.5	5.5	9.5	1.0	11.0	2.0	10.5	ns	2-5, 6
t _{PHZ}	Output Disable Time OE to O _n	5.0	2.5	6.0	10.5	1.0	12.0	2.0	11.0	ns	2-5, 6
t _{PLZ}	Output Disable Time OE to O _n	5.0	2.5	6.0	10.5	1.0	12.0	2.0	11.0	ns	2-5, 6
t _{PHL}	Propagation Delay PRE to O _n	5.0	2.5	6.0	10.5	1.0	12.5	2.0	11.0	ns	2-3, 4
t _{PLH}	Propagation Delay CLR to O _n	5.0	2.5	5.5	9.5	1.0	11.5	2.0	10.5	ns	2-3, 4

*Voltage Range 5.0 is 5.0V ±0.5V

AC Operating Requirements: See Section 2 for Waveforms

Symbol	Parameter	V _{CC} * (V)	74ACT		54ACT		74ACT		Units	Fig. No.
			T _A = +25°C C _L = 50 pF		T _A = -55°C to +125°C C _L = 50 pF		T _A = -40°C to +85°C C _L = 50 pF			
			Typ	Guaranteed Minimum						
t _s	Setup Time, HIGH or LOW D _n to LE	5.0	-0.5	0.5	1.0	1.0	ns	2-7		
t _h	Hold Time, HIGH or LOW D _n to LE	5.0	0.5	2.0	2.0	2.0	ns	2-7		
t _w	LE Pulse Width, HIGH	5.0	2.0	3.5	3.5	3.5	ns	2-3		
t _w	PRE Pulse Width, LOW	5.0	5.0	8.5	11.0	10.0	ns	2-3		
t _w	CLR Pulse Width, LOW	5.0	5.5	9.5	12.5	11.0	ns	2-3		
t _{rec}	PRE Recovery Time	5.0	0.5	2.0	2.0	2.0	ns	2-3, 7		
t _{rec}	CLR Recovery Time	5.0	-0.5	1.0	1.0	1.0	ns	2-3, 7		

*Voltage Range 5.0 is 5.0V ±0.5V

Capacitance

Symbol	Parameter	Typ	Units	Conditions
C _{IN}	Input Capacitance	4.5	pF	V _{CC} = 5.0V
C _{PD}	Power Dissipation Capacitance	44	pF	V _{CC} = 5.0V