

Beta 52A Dynamic Kick Drum Microphone (Supercardioid)

Overview

Featuring an integrated locking stand adapter, the extremely rugged Beta 52A with its supercardioid pattern provides superb attack and "punch". Ideal for kick drums and other low-frequency applications.

Features

- Supercardioid pattern for high gain-before-feedback and superior rejection of unwanted noise
- Low sensitivity to varying load impedance
- Studio quality performance, even at extremely high sound pressure levels
- Neodymium magnet for high signal-to-noise ratio output
- Built-in dynamic locking stand adapter with integral XLR connector simplifies setup
- Advanced pneumatic shock-mount system that minimises transmission of mechanical noise and vibration

Specifications

Type	Dynamic
Frequency Response	20 Hz to 10 kHz
Polar Pattern	Supercardioid
Impedance	45 Ω
Sensitivity (at 1 kHz, open circuit voltage)	-64 dBV/Pa (0.6 mV/Pa)
Maximum SPL (1 kHz at 1% THD)	174 dB
Polarity	Positive pressure on diaphragm produces positive voltage on pin 2 with respect to pin 3
Weight	605 g
Connector	Three-pin professional audio (XLR), male

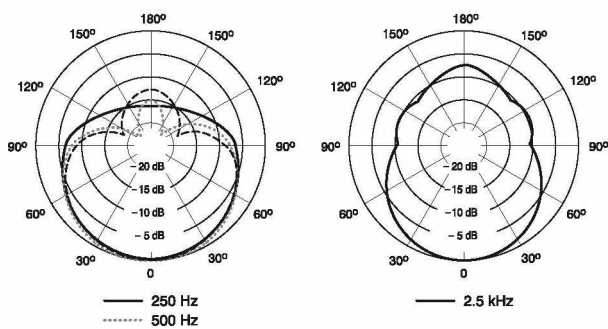


Beta 52A

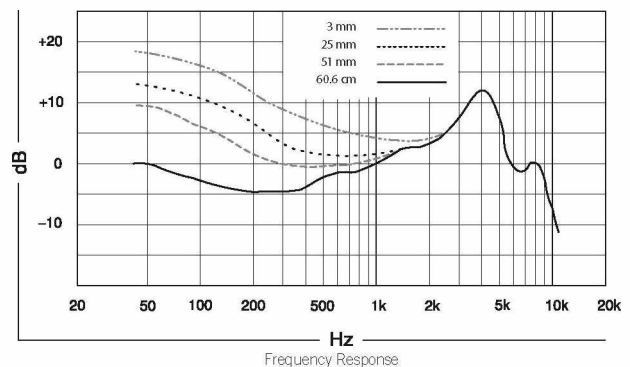
Accessories and Replacement Parts

95A2314	Storage Bag*	95A2050	5/8" to 3/8" Thread Adapter*
---------	--------------	---------	------------------------------

* included in delivery



Polar Pattern



Frequency Response

SHURE[®]
LEGENDARY
PERFORMANCE™